

Model **DVS**
Manual

Model **DVSA**
Automatic

Model **DVSJ**
Parallel
Alternating

Features

Semi-Vortex impeller

The semi-vortex impeller offers non-clog operation and high pumping efficiency. Allows pumping of waste water containing foreign matter as large as 60~70% of discharge size.

Easy Maintenance

Due to semi-vortex design with no strainer or close tolerance suction cover, only 3 or 4 bolts need to be removed for quick and easy maintenance.

Double mechanical seal in oil chamber

An oil lubricated double mechanical seal with lower faces of hard silicon carbide provides strong and reliable shaft sealing

In built motor protection

Quick acting dual response overloads provides protection against overload, lock or open phase.

Automatic operation

All models up to 3.7 kW are available as automatic (A' type) or parallel alternating (J' type) pumps with inbuilt controls and float switches. No need for separate control panels, simply connect to power source.

Applications

Ideal for waste water applications containing soft or fibrous solids.

Industrial waste water drainage

Septic effluent.

Miscellaneous drainage.

Specifications

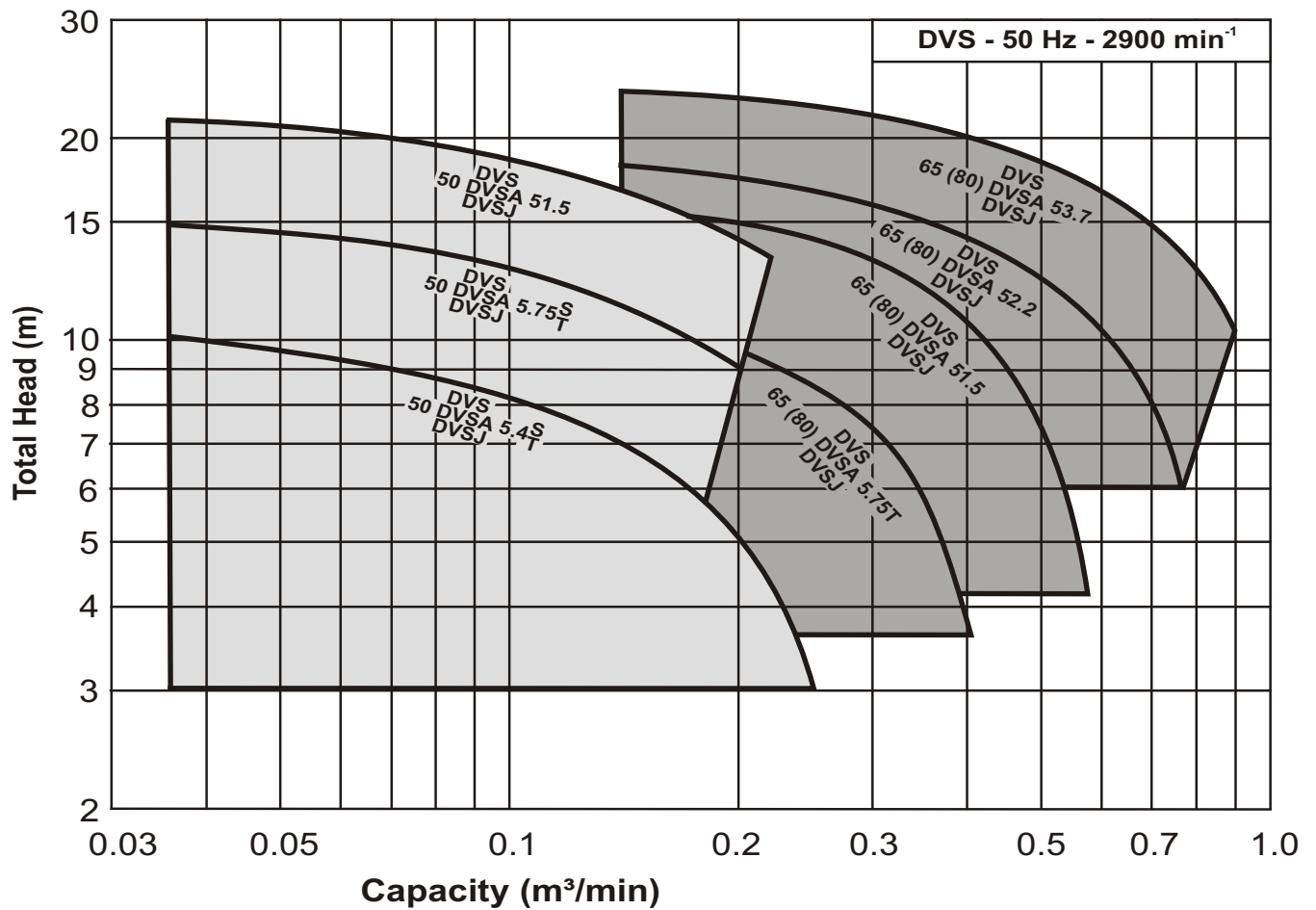
50Hz

		Standard	Optional
Scope	Discharge	50 – 80 mm	
	Motor Power	0.4 – 0.75kW (1phase) 0.4 – 3.7 kW (3phase)	
	Performance	Capacity : 0.04 – 0.9 m ³ /min Head : 3 – 24 m.	
Liquid	Type	Water containing foreign matter	
	Maximum temperature	40° C (Manual and A Type) 32° C (J' Type)	
	Max. solids	refer to table below	
Submergence	Maximum	8 m (2.2 – 3.7 kW) 4 m (0.4 - 1.5 kW)	
	Minimum	Refer to low water level (L.W.L.) in dimensions.	
Construction	Impeller	Semi – Vortex	
	Mechanical Seal	Oil lubricated, single spring double mechanical seal	
Materials	Casing	Cast Iron	
	Impeller	Cast Iron	
	Shaft	403 Stainless Steel	
	Motor Frame	Cast Iron	
	Fasteners	304 Stainless Steel	
	Mechanical Seal	Upper Faces : Carbon / Ceramic Lower Faces : Silicon Carbide / Silicon Carbide Lubricating Oil: Turbine Oil VG32 (SAE10W/20W)	
Motor	Type	Air filled dry submersible, IP68, Class E insulation (1 φ 0.4, 0.75 kW & 3φ 0.4 kW), Class F insulation (others)	
	Nominal Speed	2900 rpm	
	Applicable Voltages	220/230/240 volts 1 phase 50 Hz 380/400/415 volts 3 phase 50 Hz	
	Starting	DOL	
	Protection	In built overload protection	
	Bearings	Pre lubricated sealed ball bearings	
Cable	Length	6m (0.4 to 1.5 kW) 10m (2.2 to 3.7 kW)	
Accessories	Flange	Screwed oval type (50Ø sizes) Discharge elbow with screwed companion flange (65 & 80Ø sizes)	
			Quick Discharge Connector (QDC)

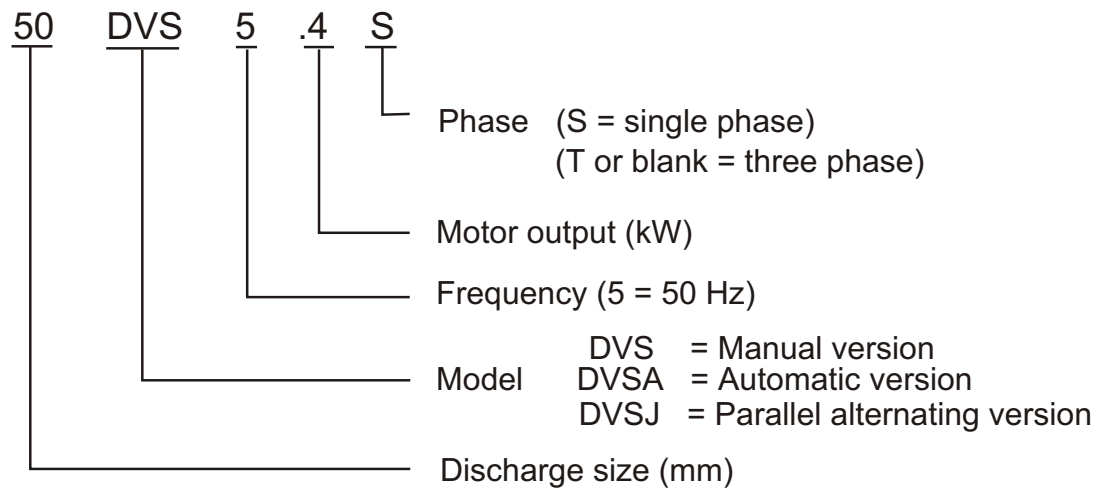
Solids Handling						
Model	- discharge	50 Ø	65 Ø	65 Ø	80 Ø	80 Ø
	- motor kW	All	0.75 – 1.5	2.2 – 3.7	0.75 – 1.5	2.2 – 3.7
Max. Diameter of Solids		32 mm	45 mm	56 mm	45 mm	56 mm
Max. Length of Fibers		150 – 250 mm	200 – 320 mm	245 – 350 mm	200 – 320 mm	245 – 350 mm

Performance Chart

50Hz



Model code



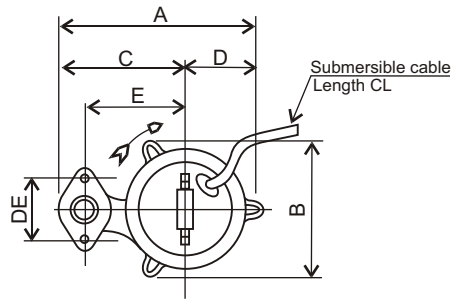


Figure 1

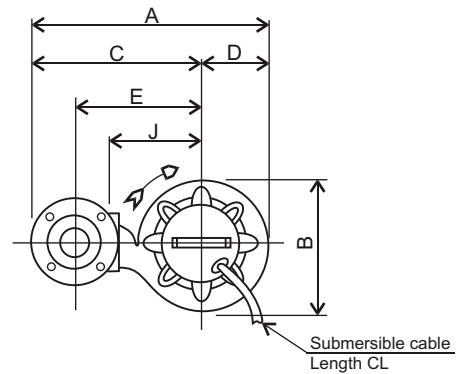
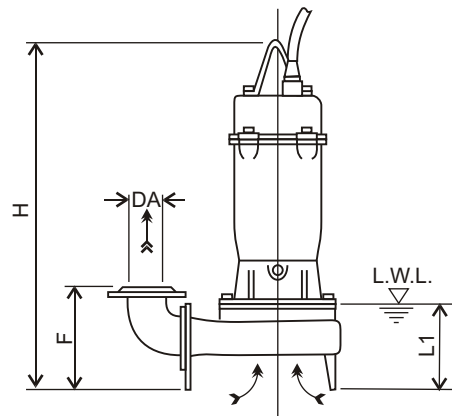
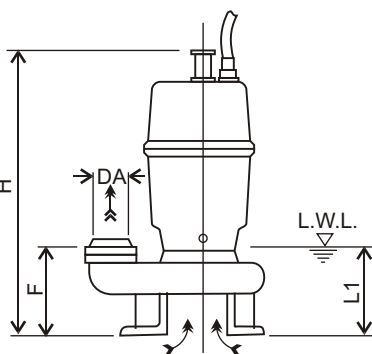


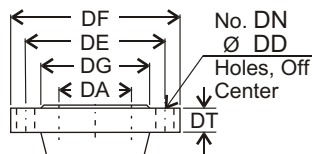
Figure 2



Note:

- 1/. L.W.L (Low Water Level)
Is limited to 10 minutes operation at low water level.
- 2/. Is limited to 30 minutes operation with water level below top of motor.

Discharge Flange Dimensions (JIS 10kgf/cm²)



DA	DE	DF	DG	DT	DN	DD
65	140	175	116	18	4	15
80	150	185	126	18	8	15

Size	Model	Fig.	Output KW	Phase	DA	A	B	C	D	E	F	H	DE	J	L1	CL	Weight
50	50 DVS 5.4S	1	0.4	1	PT2"	239	160	148	91	110	82	435	96	-	105	6 m	18 kg
	50 DVS 5.4T	1	0.4	3	PT2"	239	160	148	91	110	82	398	96	-	105	6 m	17 kg
	50 DVS 5.75S	1	0.75	1	PT2"	249	171	163	86	125	82	497	96	-	105	6 m	26 kg
	50 DVS 5.75T	1	0.75	3	PT2"	249	171	163	86	125	82	397	96	-	105	6 m	19 kg
	50 DVS 51.5	1	1.5	3	PT2"	249	171	163	86	125	82	439	96	-	105	6 m	27 kg
65	65 DVS 5.75T	2	0.75	3	65	396	195	298	98	210	178	467	-	145	125	6 m	25 kg
	65 DVS 51.5	2	1.5	3	65	396	195	298	98	210	178	519	-	145	125	6 m	34 kg
	65 DVS 52.2	2	2.2	3	65	427	227	313	114	225	201	643	-	160	155	10m	50 kg
	65 DVS 53.7	2	3.7	3	65	427	227	313	114	225	201	643	-	160	155	10m	59 kg
80	80 DVS 5.75T	2	0.75	3	80	411	195	313	98	220	183	467	-	145	125	6 m	26 kg
	80 DVS 51.5	2	1.5	3	80	411	195	313	98	220	183	519	-	145	125	6 m	35 kg
	80 DVS 52.2	2	2.2	3	80	442	227	328	114	235	206	643	-	160	155	10m	51 kg
	80 DVS 53.7	2	3.7	3	80	442	227	328	114	235	206	643	-	160	155	10m	60 kg

Units: mm unless otherwise specified

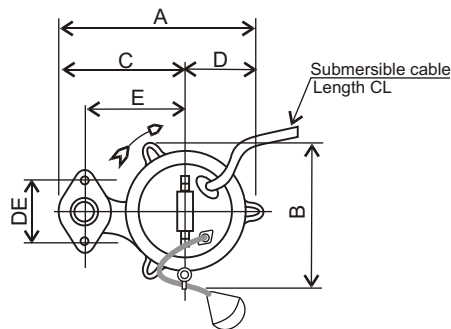


Figure 1

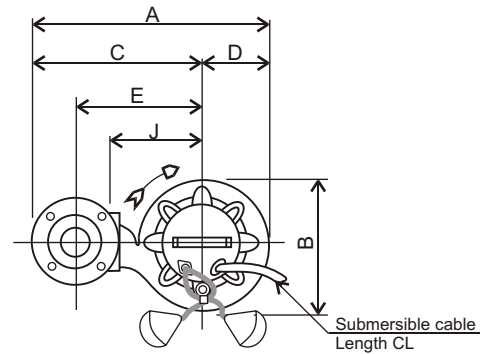
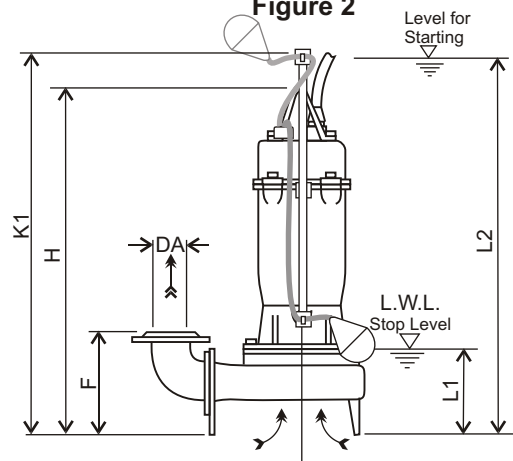
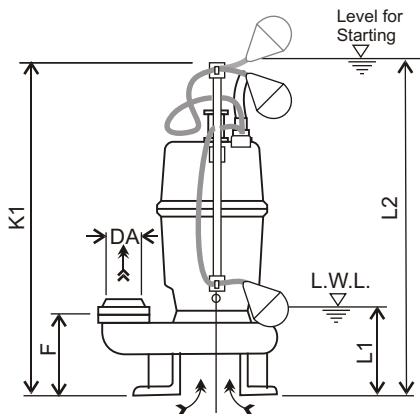


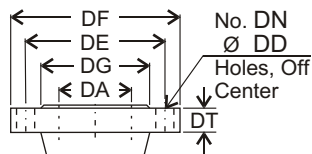
Figure 2



Note:

- 1/. L.W.L (Low Water Level)
Is limited to 10 minutes operation at low water level.
- 2/. Is limited to 30 minutes operation with water level below top of motor.

Discharge Flange Dimensions (JIS 10kgf/cm²)



DA	DE	DF	DG	DT	DN	DD
65	140	175	116	18	4	15
80	150	185	126	18	8	15

Size	Model	Fig.	Output KW	Phase	DA	A	B	C	D	E	F	H	DE	J	K1	L1	L2	CL	Weight
50	50 DVSA 5.4S	1	0.4	1	PT2"	239	183	148	91	110	82	-	96	-	530	150	490	6 m	20 kg
	50 DVSA 5.4T	1	0.4	3	PT2"	239	183	148	91	110	82	-	96	-	530	150	490	6 m	18 kg
	50 DVSA 5.75S	1	0.75	1	PT2"	249	197	163	86	125	82	-	96	-	530	150	490	6 m	27 kg
	50 DVSA 5.75T	1	0.75	3	PT2"	249	197	163	86	125	82	-	96	-	530	150	490	6 m	20 kg
	50 DVSA 51.5	1	1.5	3	PT2"	249	201	163	86	125	82	-	96	-	530	150	490	6 m	30 kg
65	65 DVSA 5.75T	2	0.75	3	65	396	206	298	98	210	178	504	-	145	530	150	490	6 m	26 kg
	65 DVSA 51.5	2	1.5	3	65	396	210	298	98	210	178	593	-	145	530	150	490	6 m	35 kg
	65 DVSA 52.2	2	2.2	3	65	427	237	313	114	225	201	717	-	160	770	250	730	10m	51 kg
	65 DVSA 53.7	2	3.7	3	65	427	237	313	114	225	201	717	-	160	770	250	730	10m	60 kg
80	80 DVSA 5.75T	2	0.75	3	80	411	206	313	98	220	183	504	-	145	530	150	490	6 m	27 kg
	80 DVSA 51.5	2	1.5	3	80	411	210	313	98	220	183	593	-	145	530	150	490	6 m	36 kg
	80 DVSA 52.2	2	2.2	3	80	442	237	328	114	235	206	717	-	160	770	250	730	10m	52 kg
	80 DVSA 53.7	2	3.7	3	80	442	237	328	114	235	206	717	-	160	770	250	730	10m	61 kg

Units: mm unless otherwise specified

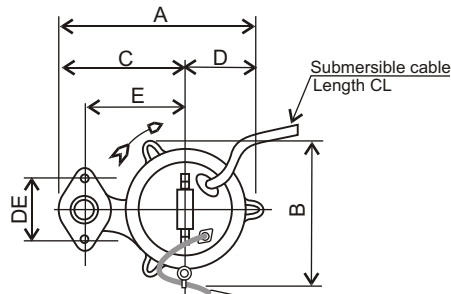


Figure 1

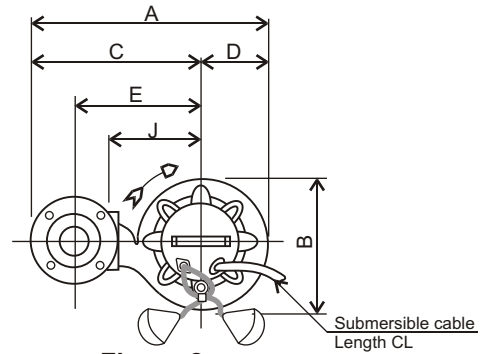
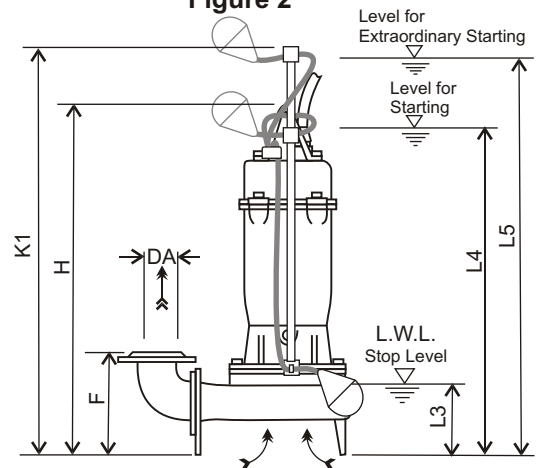
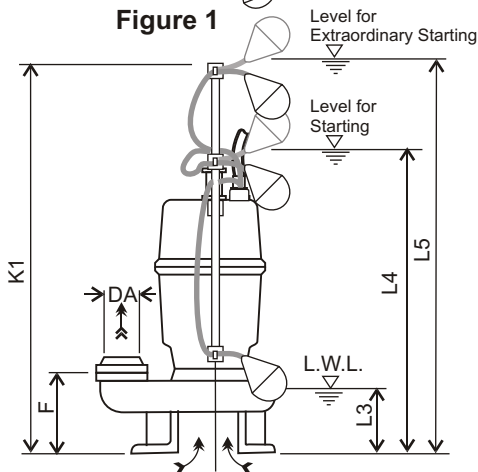


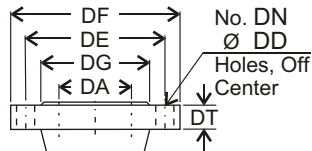
Figure 2



Note:

- 1/. L.W.L (Low Water Level)
Is limited to 10 minutes operation at low water level.
- 2/. Is limited to 30 minutes operation with water level below top of motor.

Discharge Flange Dimensions (JIS 10kgf/cm²)



DA	DE	DF	DG	DT	DN	DD
65	140	175	116	18	4	15
80	150	185	126	18	8	15

Size	Model	Fig.	Output KW	Phase	DA	A	B	C	D	E	F	H	DE	J	K1	L3	L4	L5	CL	Weight
50	50 DVSJ 5.4S	1	0.4	1	PT2"	239	183	148	91	110	82	-	96	-	640	120	410	600	6 m	20 kg
	50 DVSJ 5.4T	1	0.4	3	PT2"	239	183	148	91	110	82	-	96	-	640	120	410	600	6 m	19 kg
	50 DVSJ 5.75S	1	0.75	1	PT2"	249	197	163	86	125	82	-	96	-	640	120	410	600	6 m	27 kg
	50 DVSJ 5.75T	1	0.75	3	PT2"	249	197	163	86	125	82	-	96	-	640	120	410	600	6 m	20 kg
	50 DVSJ 51.5	1	1.5	3	PT2"	249	201	163	86	125	82	-	96	-	640	120	410	600	6 m	30 kg
65	65 DVSJ 5.75T	2	0.75	3	65	396	206	298	98	210	178	504	-	145	640	120	410	600	6 m	26 kg
	65 DVSJ 51.5	2	1.5	3	65	396	210	298	98	210	178	593	-	145	640	120	410	600	6 m	35 kg
	65 DVSJ 52.2	2	2.2	3	65	427	237	313	114	225	201	717	-	160	880	220	650	840	10m	51 kg
	65 DVSJ 53.7	2	3.7	3	65	427	237	313	114	225	201	717	-	160	880	220	650	840	10m	60 kg
80	80 DVSJ 5.75T	2	0.75	3	80	411	206	313	98	220	183	504	-	145	640	120	410	600	6 m	27 kg
	80 DVSJ 51.5	2	1.5	3	80	411	210	313	98	220	183	593	-	145	640	120	410	600	6 m	36 kg
	80 DVSJ 52.2	2	2.2	3	80	442	237	328	114	235	206	717	-	160	880	220	650	840	10m	52 kg
	80 DVSJ 53.7	2	3.7	3	80	442	237	328	114	235	206	717	-	160	880	220	650	840	10m	61 kg

Units: mm unless otherwise specified

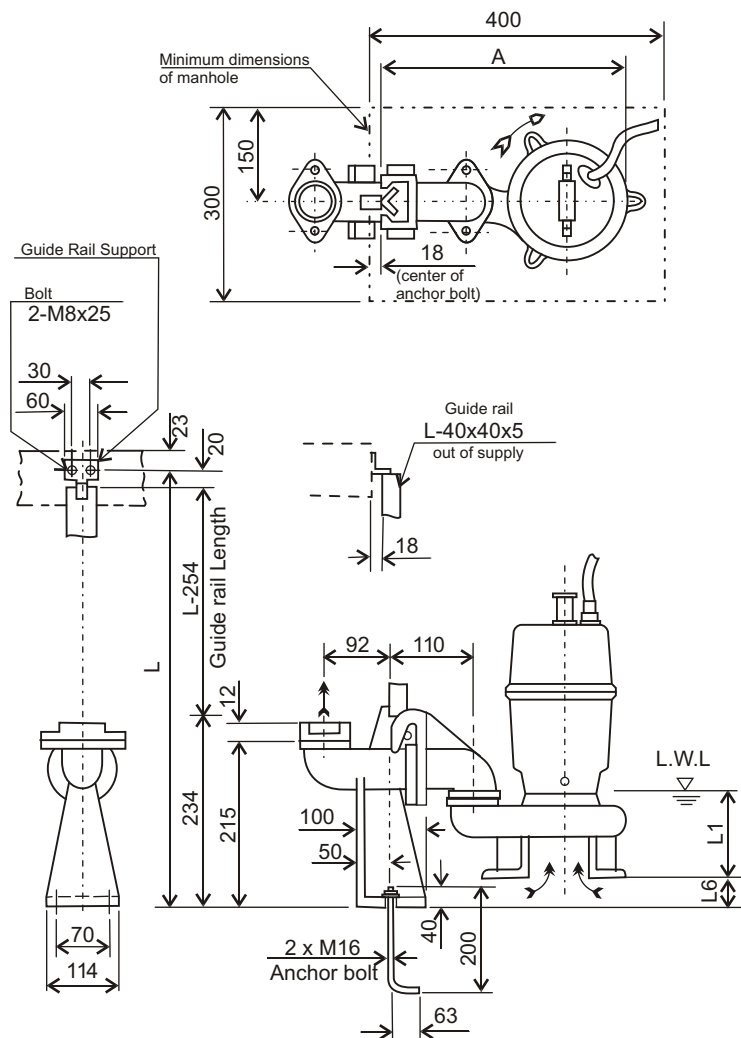
Ebara Submersible Semi-vortex Pumps

Model **DVS**

Dimensions with QDC

Pump **DVS** QDC **LS**

Applicable Models - 50 DVS



Note:

1/. For detailed dimensions of the pumps, refer to separate dimension data sheets.

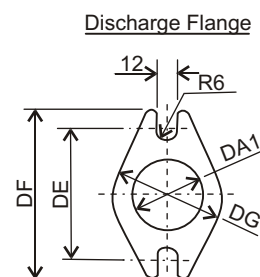
2/. The companion flange supplied with the pump are used with the QDC.

3/. The weight in dimension tables refers only to the weight of the QDC.

4/. Standard accessories supplied with QDC include:-

- Connector body with foundation bolts.
- Guide rail support
- Adaptor Flange

Guide Rail is not supplied.



Pump Model	A	DA1	DE	DF	DG	L1	L6	QDC Model	Weight
50 DVS 5.4S	311	50	96	114	76	105	58	LS50	9 kg
50 DVS 5.75S	321	50	96	114	76	105	58	LS50	9 kg
50 DVS 5.4T	311	50	96	114	76	105	58	LS50	9 kg
50 DVS 5.75T	321	50	96	114	76	105	58	LS50	9 kg
50 DVS 51.5	321	50	96	114	76	105	58	LS50	9 kg

Units: mm unless otherwise specified

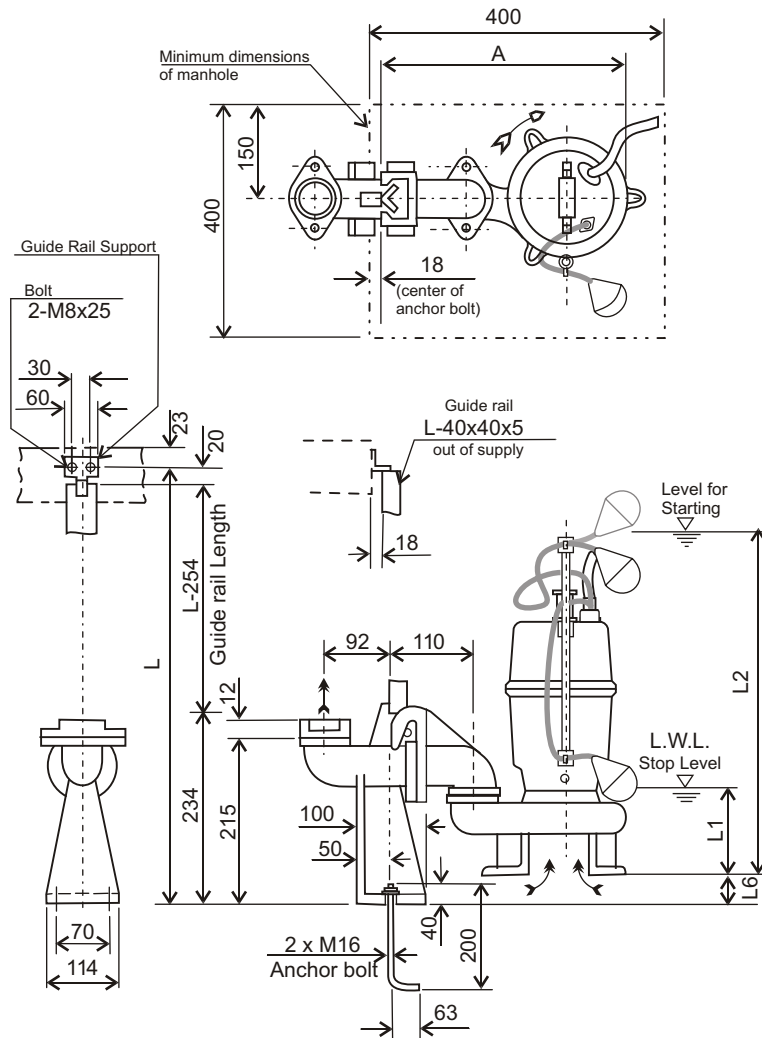
Ebara Submersible Semi-vortex Pumps

Model **DVS**

Dimensions with QDC

Pump **DVSA** QDC **LS**

Applicable Models - 50 DVSA



Note:

1/. For detailed dimensions of the pumps, refer to separate dimension data sheets.

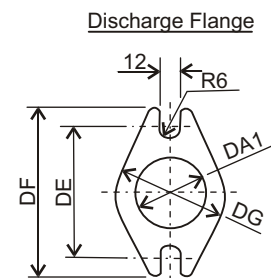
2/. The companion flange supplied with the pump are used with the QDC.

3/. The weight in dimension tables refers only to the weight of the QDC.

4/. Standard accessories supplied with QDC include:-

- Connector body with foundation bolts.
- Guide rail support
- Adaptor Flange

Guide Rail is not supplied.



Pump Model	A	DA1	DE	DF	DG	L1	L2	L6	QDC Model	Weight
50 DVSA 5.4S	311	50	96	114	76	150	490	58	LS50	9 kg
50 DVSA 5.75S	321	50	96	114	76	150	490	58	LS50	9 kg
50 DVSA 5.4T	311	50	96	114	76	150	490	58	LS50	9 kg
50 DVSA 5.75T	321	50	96	114	76	150	490	58	LS50	9 kg
50 DVSA 51.5	321	50	96	114	76	150	490	58	LS50	9 kg

Units: mm unless otherwise specified

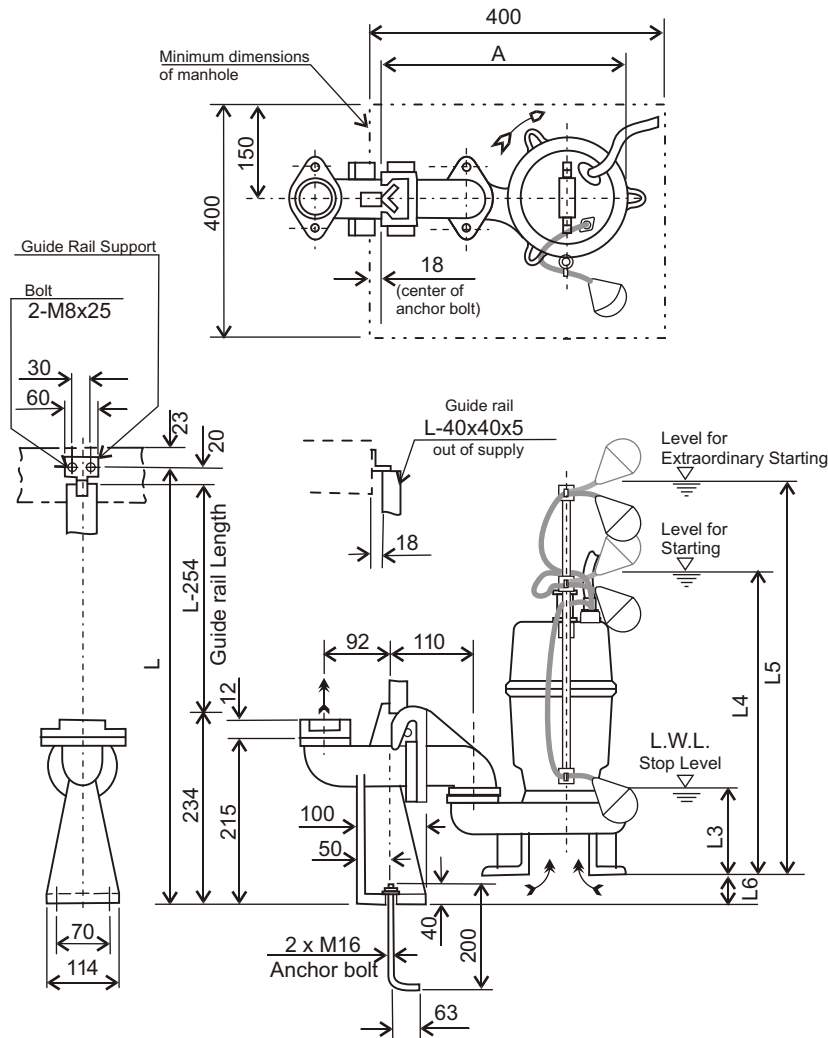
Ebara Submersible Semi-vortex Pumps

Model **DVS**

Dimensions with QDC

Pump **DVSJ** QDC **LS**

Applicable Models - 50 DVSJ



Note:

1/. For detailed dimensions of the pumps, refer to separate dimension data sheets.

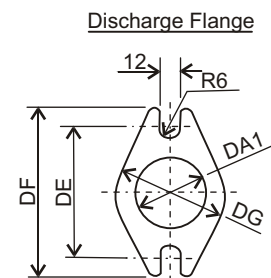
2/. The companion flange supplied with the pump are used with the QDC.

3/. The weight in dimension tables refers only to the weight of the QDC.

4/. Standard accessories supplied with QDC include:-

- Connector body with foundation bolts.
- Guide rail support
- Adaptor Flange

Guide Rail is not supplied.



Pump Model	A	DA1	DE	DF	DG	L3	L4	L5	L6	QDC Model	Weight
50 DVSJ 5.4S	311	50	96	114	76	120	410	600	58	LS50	9 kg
50 DVSJ 5.75S	321	50	96	114	76	120	410	600	58	LS50	9 kg
50 DVSJ 5.4T	311	50	96	114	76	120	410	600	58	LS50	9 kg
50 DVSJ 5.75T	321	50	96	114	76	120	410	600	58	LS50	9 kg
50 DVSJ 51.5	321	50	96	114	76	120	410	600	58	LS50	9 kg

Units: mm unless otherwise specified

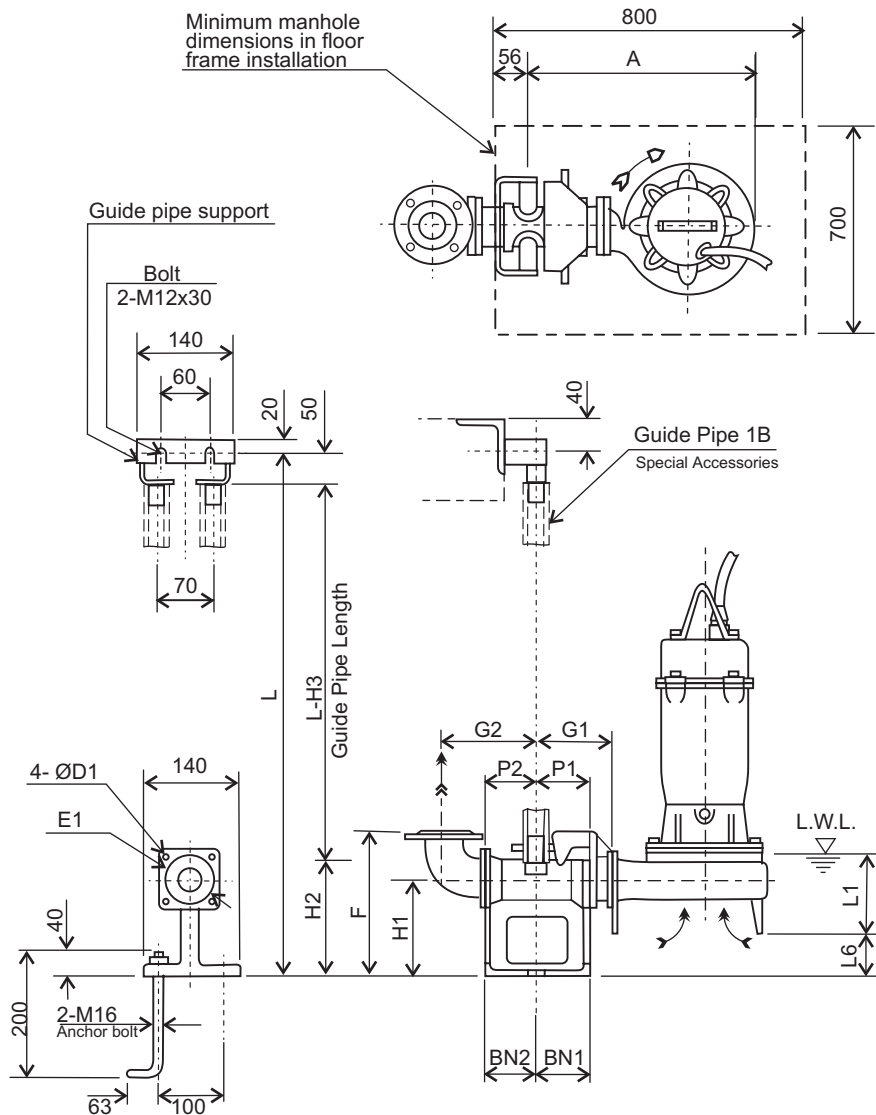
Ebara Submersible Semi-vortex Pumps

Model **DVS**

Dimensions with QDC

Pump **DVS** QDC **LM**

■ Applicable Models - 65 & 80 DVS



Note:

1/ For detailed dimensions of the pumps, refer to separate dimension data sheets.

2/ The discharge bend and companion flange supplied with the pump are used with the QDC.

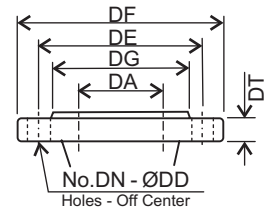
3/ The weight in dimension tables refers only to the weight of the QDC.

4/ Standard accessories supplied with QDC include:-

- Connector body with foundation bolts.
- Guide pipe support
- Sliding Glide
- Adaptor Flange

Guide Pipe is not supplied.

Discharge Flange
(JIS 10kgf/cm²)



DA	DE	DF	DG	DT	DN	DD
65	140	175	116	18	4	15
80	150	185	126	18	8	15

Pump Model	A	P1	P2	G1	G2	F	H1	H2	H3	L1	L6	BN1	BN2	D1	E1	QDC Model	Weight
65 DVS 5.75T	363	75	95	120	160	250	145	190	240	125	72	75	95	12	140	LM65	14 kg
65 DVS 51.5	363	75	95	120	160	250	145	190	240	125	72	75	95	12	140	LM65	14 kg
65 DVS 52.2	394	75	95	120	160	250	145	190	240	155	49	75	95	12	140	LM65	14 kg
65 DVS 53.7	394	75	95	120	160	250	145	190	240	155	49	75	95	12	140	LM65	14 kg
80 DVS 5.75T	363	75	95	120	170	255	145	190	240	125	72	75	95	12	140	LM65	14 kg
80 DVS 51.5	363	75	95	120	170	255	145	190	240	125	72	75	95	12	140	LM65	14 kg
80 DVS 52.2	394	75	95	120	170	255	145	190	240	155	49	75	95	12	140	LM65	14 kg
80 DVS 53.7	394	75	95	120	170	255	145	190	240	155	49	75	95	12	140	LM65	14 kg

Units: mm unless otherwise specified

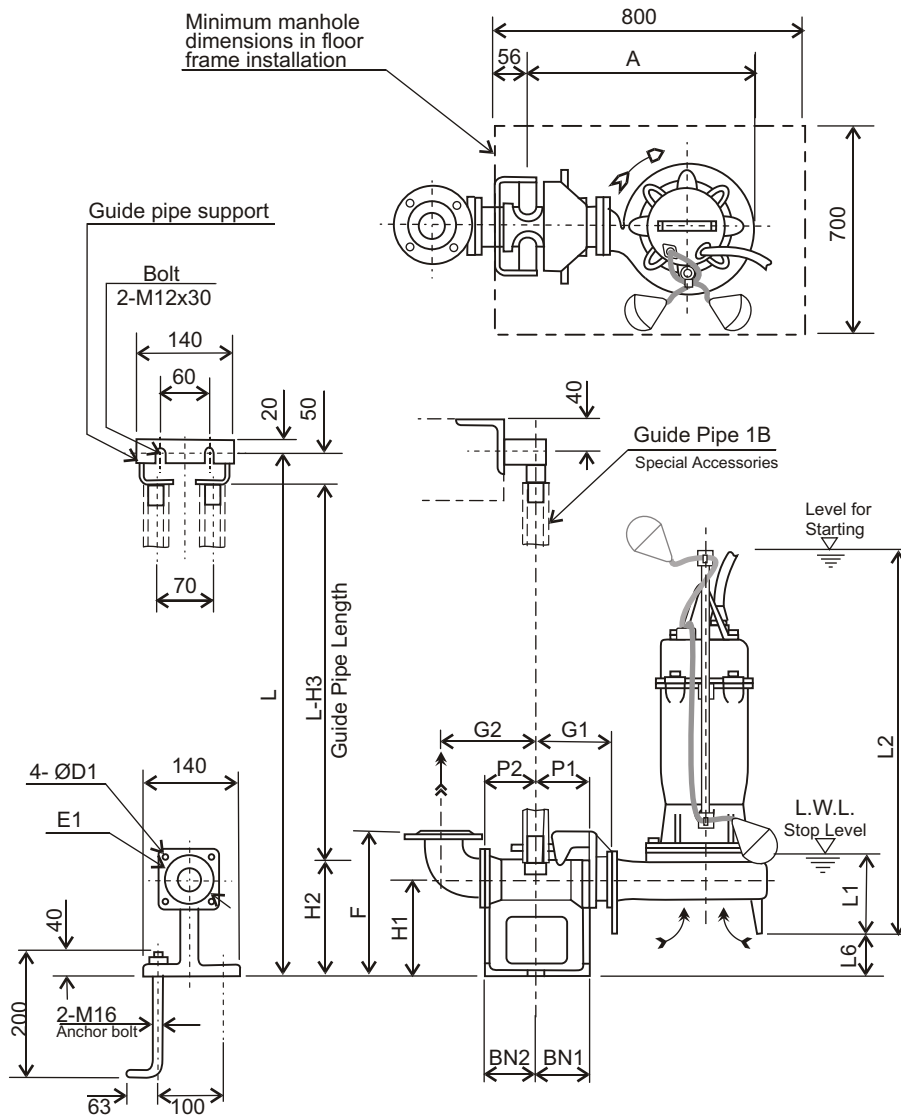
Ebara Submersible Semi-vortex Pumps

Model **DVS**

Dimensions with QDC

Pump **DVSA** QDC **LM**

Applicable Models - 65 & 80 DVSA



Note:

1/. For detailed dimensions of the pumps, refer to separate dimension data sheets.

2/. The discharge bend and companion flange supplied with the pump are used with the QDC.

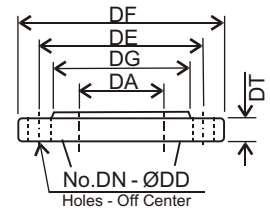
3/. The weight in dimension tables refers only to the weight of the QDC.

4/. Standard accessories supplied with QDC include:-

- Connector body with foundation bolts.
- Guide pipe support
- Sliding Glide
- Adaptor Flange

Guide Pipe is not supplied.

Discharge Flange
(JIS 10kgf/cm²)



DA	DE	DF	DG	DT	DN	DD
65	140	175	116	18	4	15
80	150	185	126	18	8	15

Pump Model	A	P1	P2	G1	G2	F	H1	H2	H3	L1	L2	L6	BN1	BN2	D1	E1	QDC Model	Weight
65 DVSA 5.75T	363	75	95	120	160	250	145	190	240	150	490	72	75	95	12	140	LM65	14 kg
65 DVSA 51.5	363	75	95	120	160	250	145	190	240	150	490	72	75	95	12	140	LM65	14 kg
65 DVSA 52.2	394	75	95	120	160	250	145	190	240	250	730	49	75	95	12	140	LM65	14 kg
65 DVSA 53.7	394	75	95	120	160	250	145	190	240	250	730	49	75	95	12	140	LM65	14 kg
80 DVSA 5.75T	363	75	95	120	170	255	145	190	240	150	490	72	75	95	12	140	LM65	14 kg
80 DVSA 51.5	363	75	95	120	170	255	145	190	240	150	490	72	75	95	12	140	LM65	14 kg
80 DVSA 52.2	394	75	95	120	170	255	145	190	240	250	730	49	75	95	12	140	LM65	14 kg
80 DVSA 53.7	394	75	95	120	170	255	145	190	240	250	730	49	75	95	12	140	LM65	14 kg

Units: mm unless otherwise specified

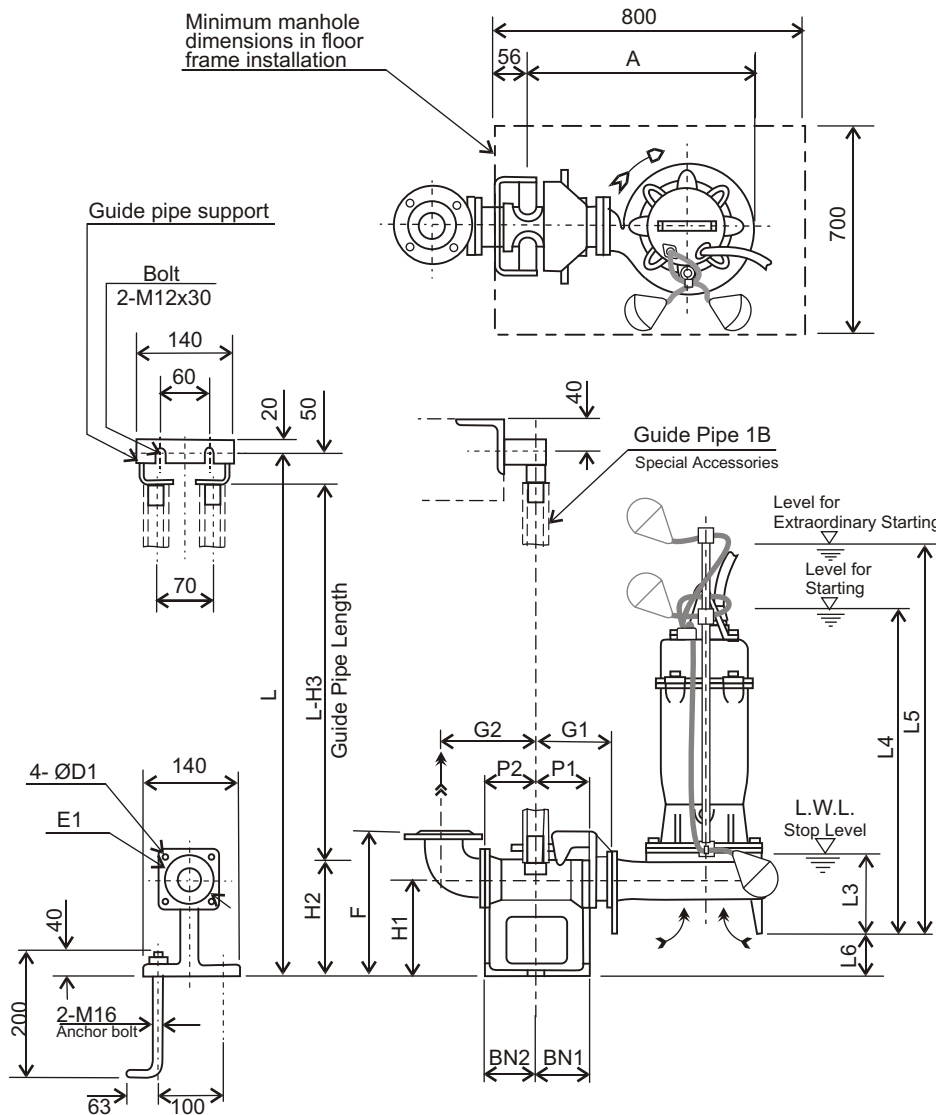
Ebara Submersible Semi-vortex Pumps

Model **DVS**

Dimensions with QDC

Pump **DVSJ** QDC **LM**

Applicable Models - 65 & 80 DVSJ



Note:

1/. For detailed dimensions of the pumps, refer to separate dimension data sheets.

2/. The discharge bend and companion flange supplied with the pump are used with the QDC.

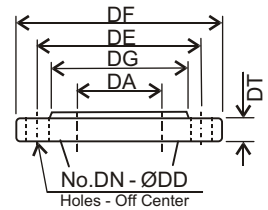
3/. The weight in dimension tables refers only to the weight of the QDC.

4/. Standard accessories supplied with QDC include:-

- Connector body with foundation bolts.
- Guide pipe support
- Sliding Glide
- Adaptor Flange

Guide Pipe is not supplied.

Discharge Flange
(JIS 10kgf/cm²)



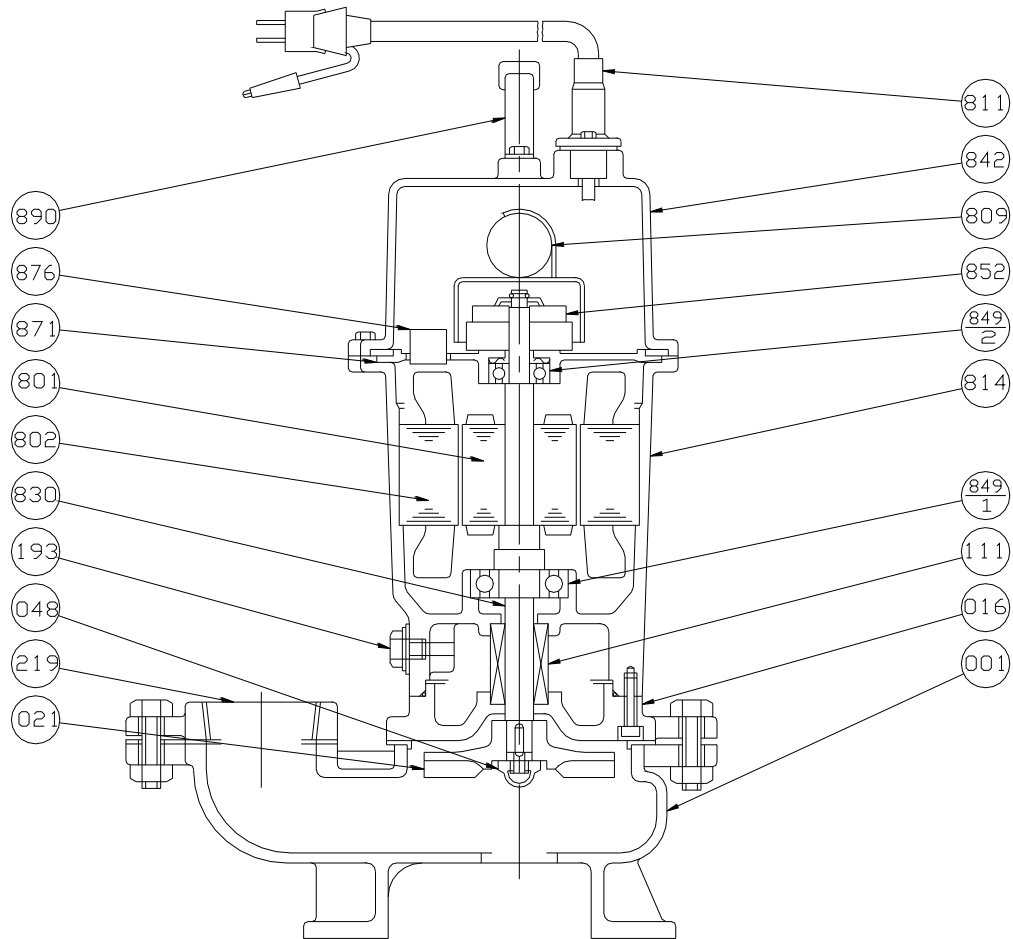
DA	DE	DF	DG	DT	DN	DD
65	140	175	116	18	4	15
80	150	185	126	18	8	15

Pump Model	A	P1	P2	G1	G2	F	H1	H2	H3	L3	L4	L5	L6	BN1	BN2	D1	E1	QDC Model	Weight
65 DVSJ 5.75T	363	75	95	120	160	250	145	190	240	120	410	600	72	75	95	12	140	LM65	14 kg
65 DVSJ 51.5	363	75	95	120	160	250	145	190	240	120	410	600	72	75	95	12	140	LM65	14 kg
65 DVSJ 52.2	394	75	95	120	160	250	145	190	240	220	650	840	49	75	95	12	140	LM65	14 kg
65 DVSJ 53.7	394	75	95	120	160	250	145	190	240	220	650	840	49	75	95	12	140	LM65	14 kg
80 DVSJ 5.75T	363	75	95	120	170	255	145	190	240	120	410	600	72	75	95	12	140	LM65	14 kg
80 DVSJ 51.5	363	75	95	120	170	255	145	190	240	120	410	600	72	75	95	12	140	LM65	14 kg
80 DVSJ 52.2	394	75	95	120	170	255	145	190	240	220	650	840	49	75	95	12	140	LM65	14 kg
80 DVSJ 53.7	394	75	95	120	170	255	145	190	240	220	650	840	49	75	95	12	140	LM65	14 kg

Units: mm unless otherwise specified

Sectional View - 50 DVS 5.4S, 5.75S

50Hz

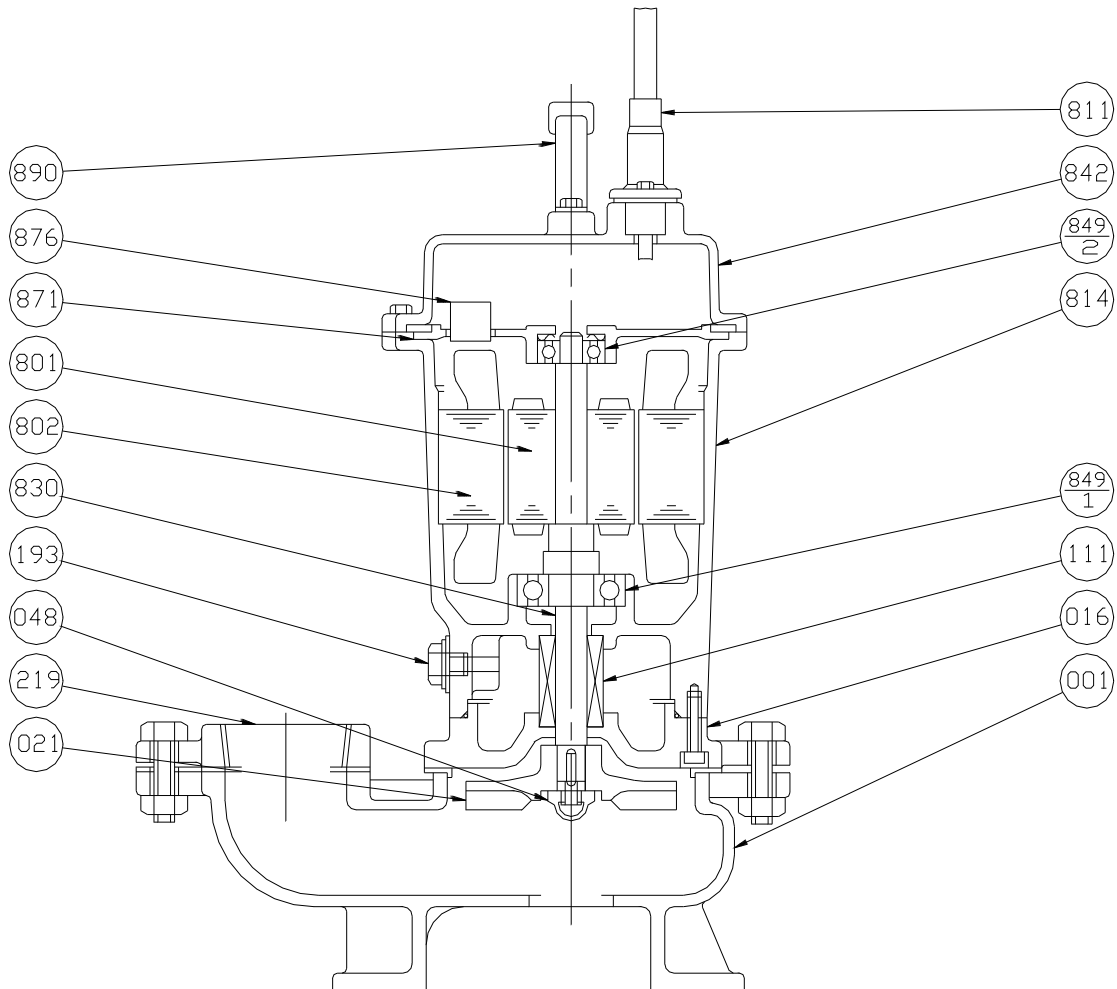


Item Number	Description	Material	Quantity per unit
001	Pump Casing	FC200 Cast iron	1
016	Mechanical Seal Cover	FC200 Cast Iron	1
021	Impeller	FC200 Cast Iron	1
048	Impeller Nut	SUS304 Stainless Steel	1
111	Mechanical Seal		1
193	Oil Plug	C3604 or SUS304 Brass or Stainless Steel	1
219	Companion Flange	FC200 Cast Iron	1
801	Rotor		1
802	Stator		1
809	Capacitor		1

Item Number	Description	Material	Quantity per unit
811	Submersible Cable		1
814	Motor Frame	FC150 Cast Iron	1
830	Shaft	SUS403 Stainless Steel	1
842	Motor Cover	FC150 Cast Iron	1
849-1	Ball Bearing		1
849-2	Ball Bearing		1
852	Starting Switch		1
871	Intermediate Bracket	FC150 Cast Iron	1
876	Protector		1
890	Handle	SUS Stainless Steel	1

Sectional View - 50 DVS 5.4T, 5.75T

50Hz

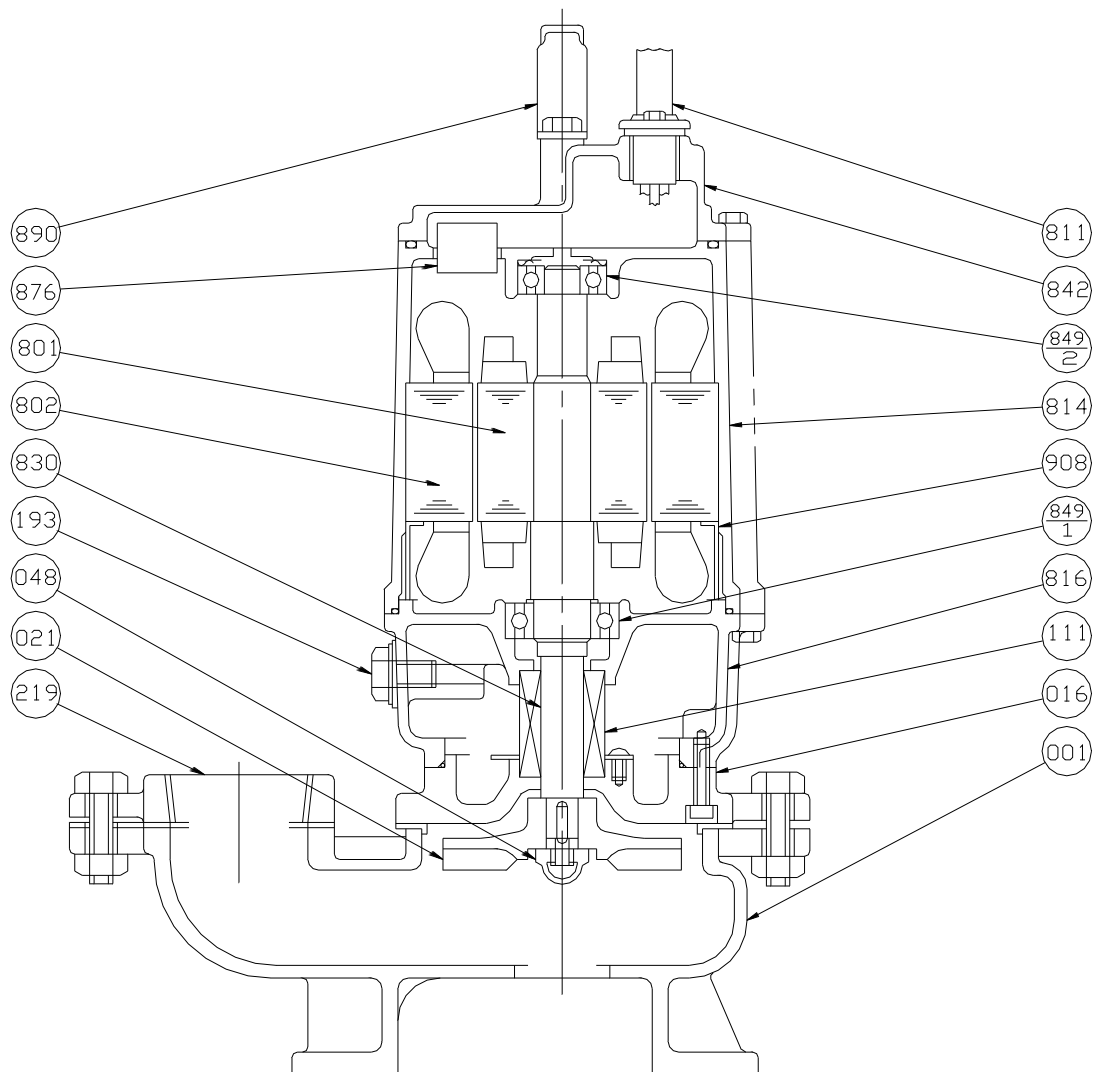


Item Number	Description	Material	Quantity per unit
001	Pump Casing	FC200 Cast iron	1
016	Mechanical Seal Cover	FC200 Cast Iron	1
021	Impeller	FC200 Cast Iron	1
048	Impeller Nut	SUS304 Stainless Steel	1
111	Mechanical Seal		1
193	Oil Plug	C3604 or SUS304 Brass or Stainless Steel	1
219	Companion Flange	FC200 Cast Iron	1
801	Rotor		1
802	Stator		1

Item Number	Description	Material	Quantity per unit
811	Submersible Cable		1
814	Motor Frame	FC150 Cast Iron	1
830	Shaft	SUS403 Stainless Steel	1
842	Motor Cover	FC150 Cast Iron	1
849-1	Ball Bearing		1
849-2	Ball Bearing		1
871	Intermediate Bracket	FC150 Cast Iron	1
876	Protector		1
890	Handle	SUS Stainless Steel	1

Sectional View - 50 DVS 51.5

50Hz

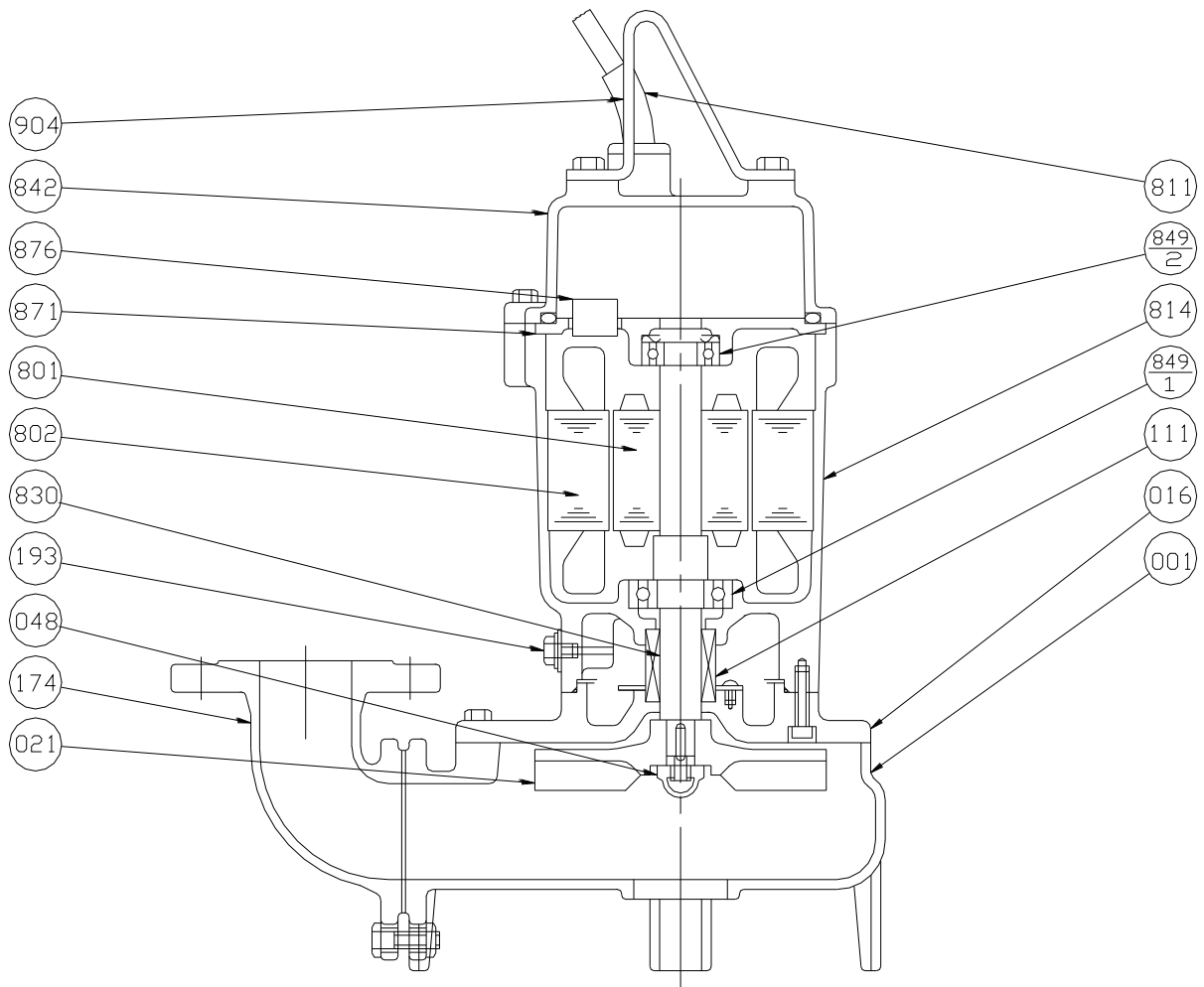


Item Number	Description	Material	Quantity per unit
001	Pump Casing	FC200 Cast iron	1
016	Mechanical Seal Cover	FC200 Cast Iron	1
021	Impeller	FC200 Cast Iron	1
048	Impeller Nut	SUS304 Stainless Steel	1
111	Mechanical Seal		1
193	Oil Plug	SUS304 Stainless Steel	1
219	Companion Flange	FC200 Cast Iron	1
801	Rotor		1
802	Stator		1

Item Number	Description	Material	Quantity per unit
811	Submersible Cable		1
814	Motor Frame	FC150 Cast Iron	1
816	Power Side Bracket	FC150 Cast Iron	1
830	Shaft	SUS403 Stainless Steel	1
842	Motor Cover	FC150 Cast Iron	1
849-1	Ball Bearing		1
849-2	Ball Bearing		1
876	Protector		1
890	Handle	SUS Stainless Steel	1
908	Spacer	SS Steel	1

Sectional View - 65(80) DVS 5.75T

50Hz

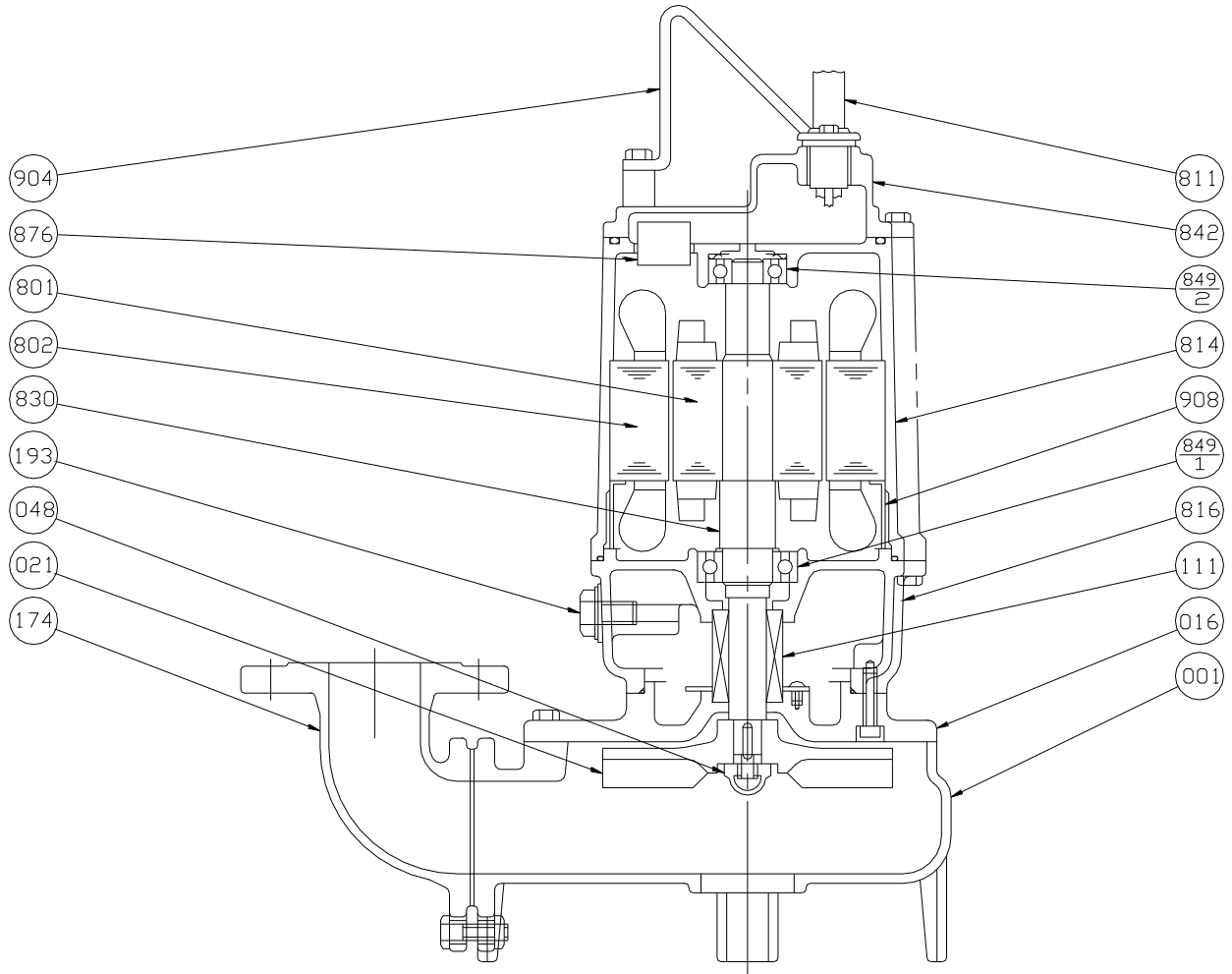


Item Number	Description	Material	Quantity per unit
001	Pump Casing	FC200 Cast iron	1
016	Mechanical Seal Cover	FC200 Cast Iron	1
021	Impeller	FC200 Cast Iron	1
048	Impeller Nut	SUS304 Stainless Steel	1
111	Mechanical Seal		1
174	Discharge Bend	FC200 Cast Iron	1
193	Oil Plug	SUS304 Stainless Steel	1
801	Rotor		1
802	Stator		1

Item Number	Description	Material	Quantity per unit
811	Submersible Cable		1
814	Motor Frame	FC150 Cast Iron	1
830	Shaft	SUS403 Stainless Steel	1
842	Motor Cover	FC150 Cast Iron	1
849-1	Ball Bearing		1
849-2	Ball Bearing		1
871	Intermediate Bracket	FC150 Cast Iron	1
876	Protector		1
904	Lifting Hanger	SS Steel	1

Sectional View - 65(80) DVS 51.5

50Hz

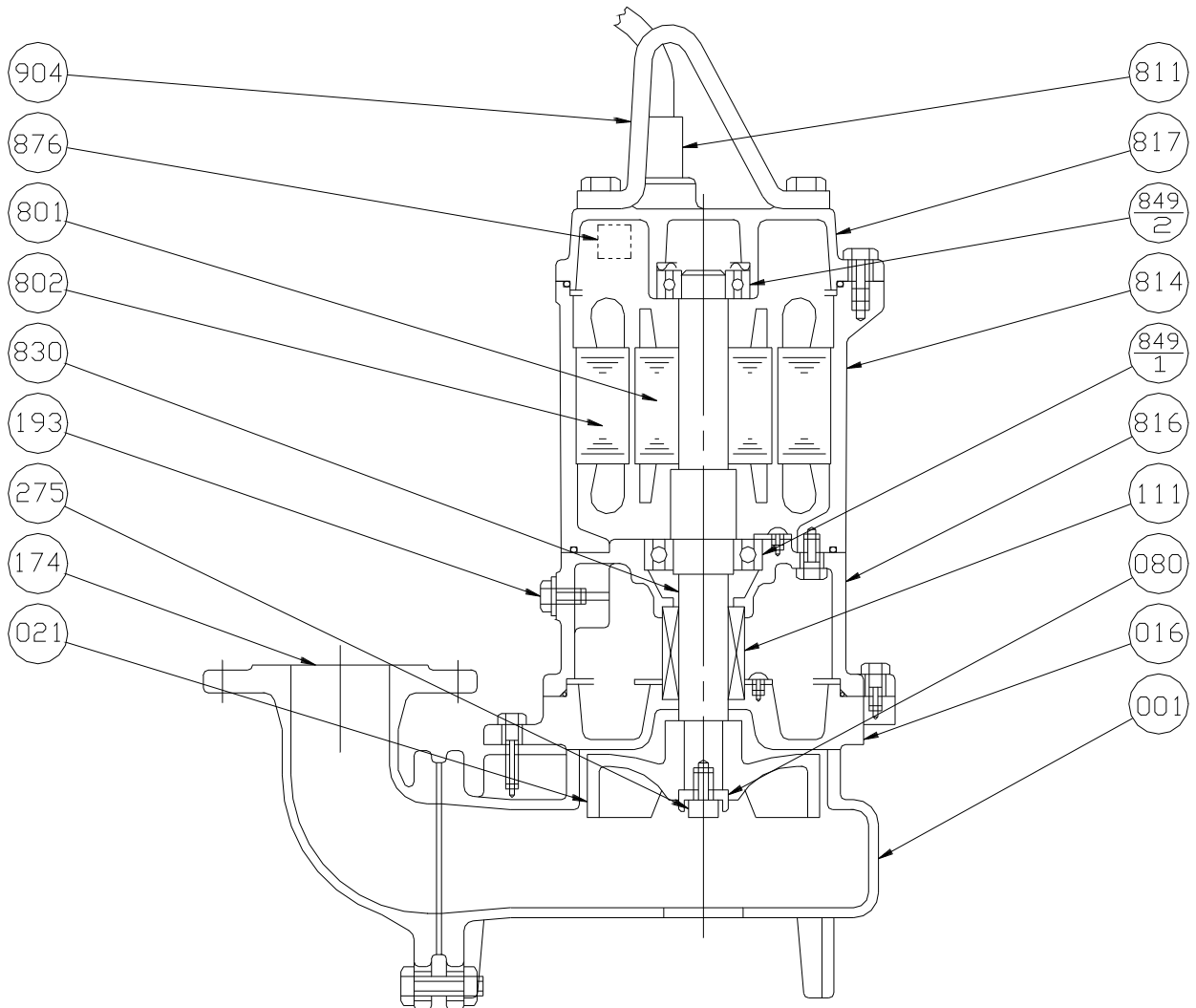


Item Number	Description	Material	Quantity per unit
001	Pump Casing	FC200 Cast iron	1
016	Mechanical Seal Cover	FC200 Cast Iron	1
021	Impeller	FC200 Cast Iron	1
048	Impeller Nut	SUS304 Stainless Steel	1
111	Mechanical Seal		1
174	Discharge Bend	FC200 Cast Iron	1
193	Oil Plug	SUS304 Stainless Steel	1
801	Rotor		1
802	Stator		1

Item Number	Description	Material	Quantity per unit
811	Submersible Cable		1
814	Motor Frame	FC150 Cast Iron	1
816	Power Side Bracket	FC150 Cast Iron	1
830	Shaft	SUS403 Stainless Steel	1
842	Motor Cover	FC150 Cast Iron	1
849-1	Ball Bearing		1
849-2	Ball Bearing		1
876	Protector		1
904	Lifting Hanger	SS Steel	1
908	Spacer	SS Steel	1

Sectional View - 65(80) DVS 52.2, 53.7

50Hz

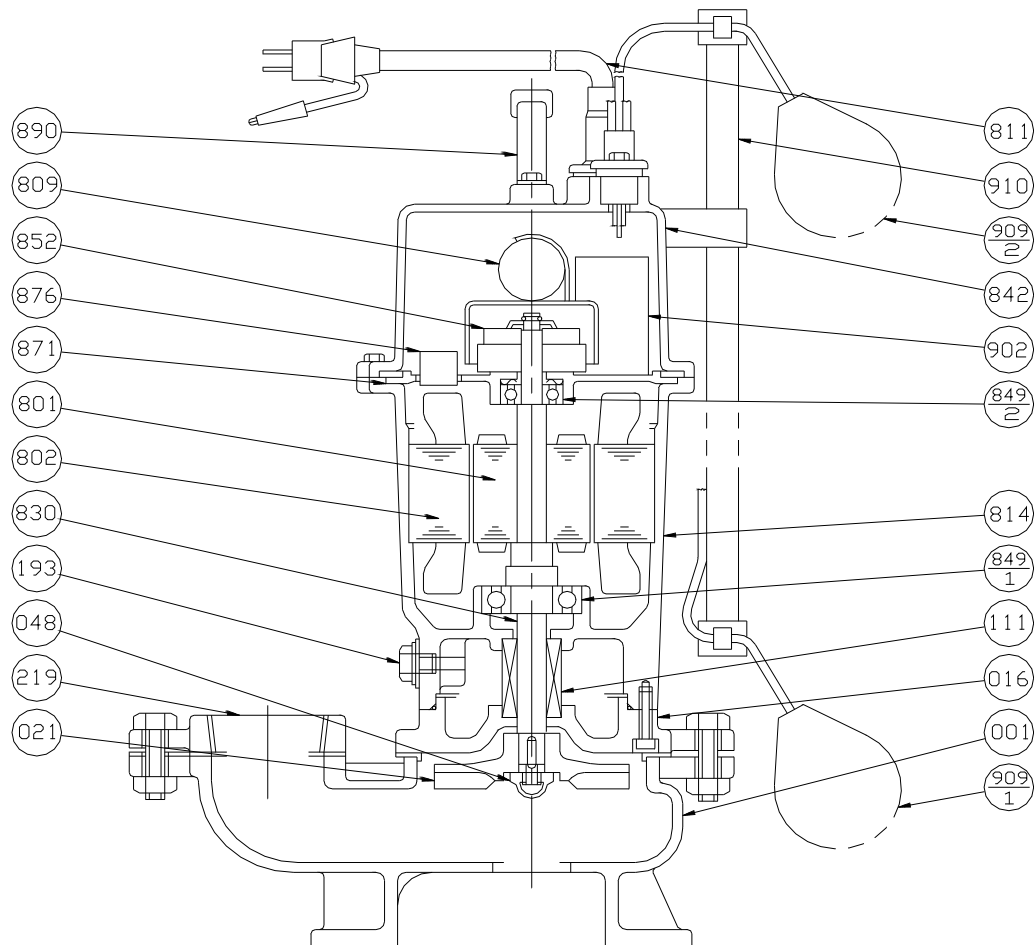


Item Number	Description	Material	Quantity per unit
001	Pump Casing	FC200 Cast iron	1
016	Mechanical Seal Cover	FC200 Cast Iron	1
021	Impeller	FC200 Cast Iron	1
080	Bushing	SS Steel	1
111	Mechanical Seal		1
174	Discharge Bend	FC200 Cast Iron	1
193	Oil Plug	SUS304 Stainless Steel	1
275	Impeller Bolt	SUS304 Stainless Steel	1
801	Rotor		1
802	Stator		1

Item Number	Description	Material	Quantity per unit
811	Submersible Cable		1
814	Motor Frame	FC150 Cast Iron	1
816	Power Side Bracket	FC150 Cast Iron	1
817	Opposite Side Bracket	FC150 Cast Iron	1
830	Shaft	SUS403 Stainless Steel	1
849-1	Ball Bearing		1
849-2	Ball Bearing		1
876	Protector		1
904	Lifting Hanger	SS Steel	1

Sectional View - 50 DVSA 5.4S, 5.75S

50Hz



Item Number	Description	Material	Quantity per unit
001	Pump Casing	FC200 Cast iron	1
016	Mechanical Seal Cover	FC200 Cast Iron	1
021	Impeller	FC200 Cast Iron	1
048	Impeller Nut	SUS304 Stainless Steel	1
111	Mechanical Seal		1
193	Oil Plug	C3604 or SUS304 Brass or Stainless Steel	1
219	Companion Flange	FC200 Cast Iron	1
801	Rotor		1
802	Stator		1
809	Capacitor		1
811	Submersible Cable		1
814	Motor Frame	FC150 Cast Iron	1

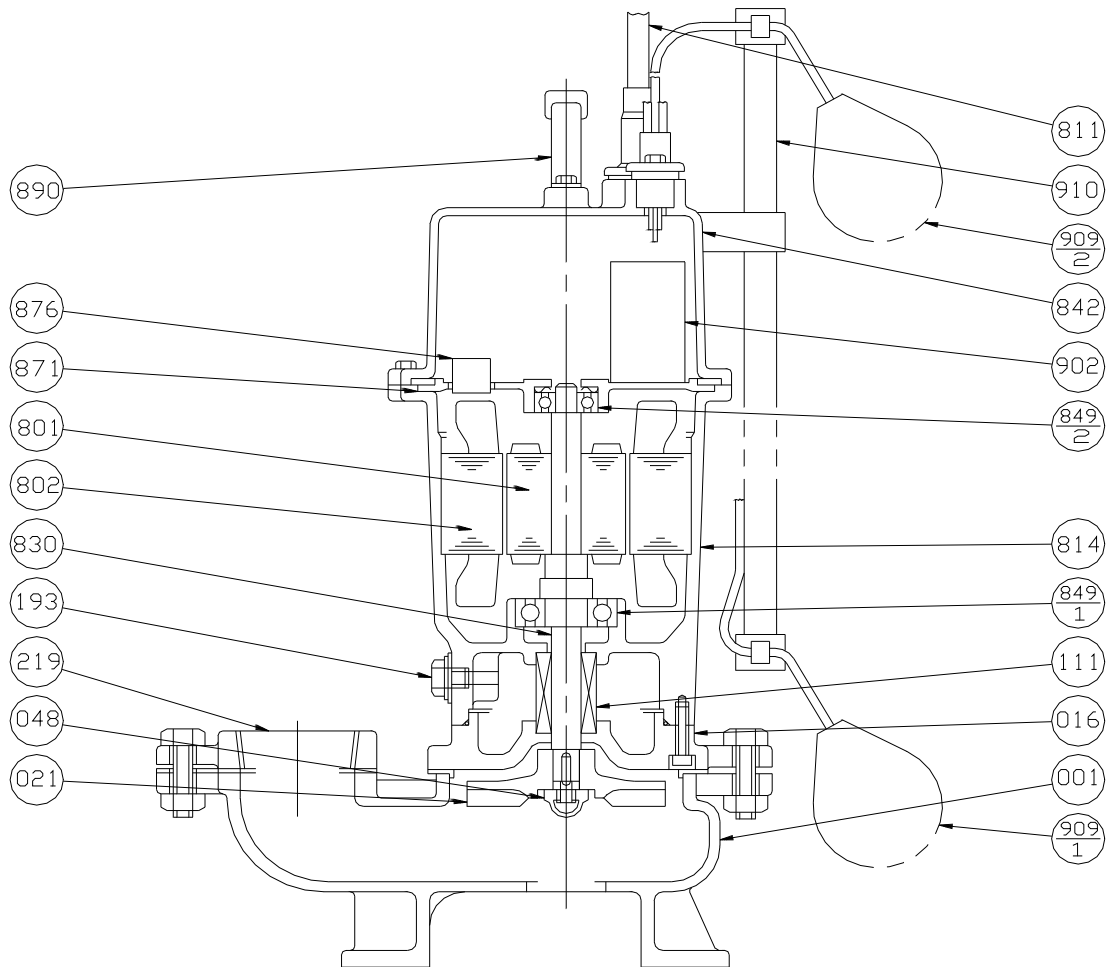
Item Number	Description	Material	Quantity per unit
830	Shaft	SUS403 Stainless Steel	1
842	Motor Cover	FC150 Cast Iron	1
849-1	Ball Bearing		1
849-2	Ball Bearing		1
852	Starting Switch		1
871	Intermediate Bracket	FC150 Cast Iron	1
876	Protector		1
890	Handle	SUS Stainless Steel	1
902	Control Device		1
909-1	Float Switch		1
909-2	Float Switch		1
910	Float Pole	Plastics	1

Ebara Submersible Semi-Vortex Pumps

Model **DVS**

Sectional View - 50 DVSA 5.4T, 5.75T

50Hz

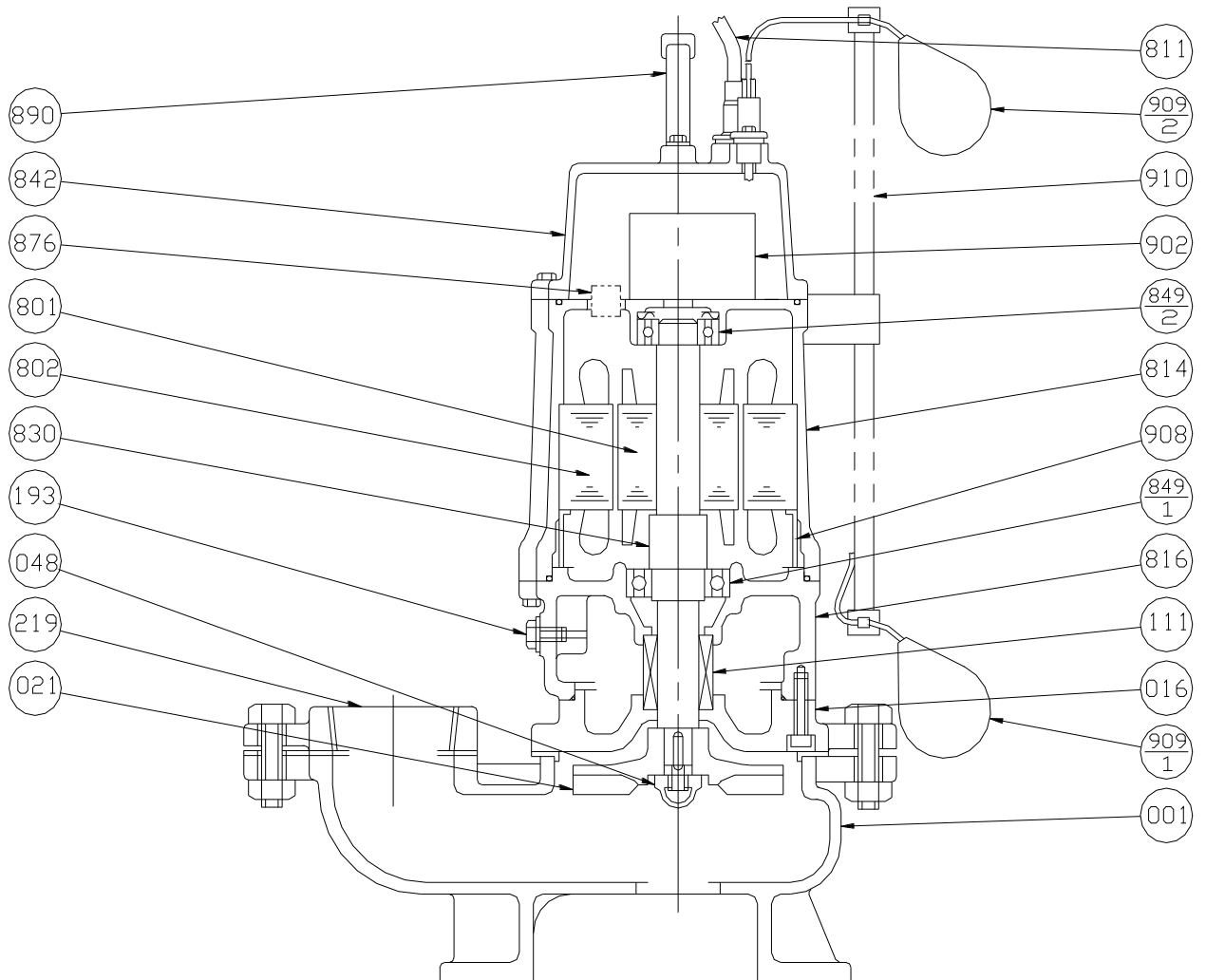


Item Number	Description	Material	Quantity per unit
001	Pump Casing	FC200 Cast iron	1
016	Mechanical Seal Cover	FC200 Cast Iron	1
021	Impeller	FC200 Cast Iron	1
048	Impeller Nut	SUS304 Stainless Steel	1
111	Mechanical Seal		1
193	Oil Plug	C3604 or SUS304 Brass or Stainless Steel	1
219	Companion Flange	FC200 Cast Iron	1
801	Rotor		1
802	Stator		1
811	Submersible Cable		1
814	Motor Frame	FC150 Cast Iron	1

Item Number	Description	Material	Quantity per unit
830	Shaft	SUS403 Stainless Steel	1
842	Motor Cover	FC150 Cast Iron	1
849-1	Ball Bearing		1
849-2	Ball Bearing		1
871	Intermediate Bracket	FC150 Cast Iron	1
876	Protector		1
890	Handle	SUS Stainless Steel	1
902	Control Device		1
909-1	Float Switch		1
909-2	Float Switch		1
910	Float Pole	Plastics	1

Sectional View - 50 DVSA 51.5

50Hz

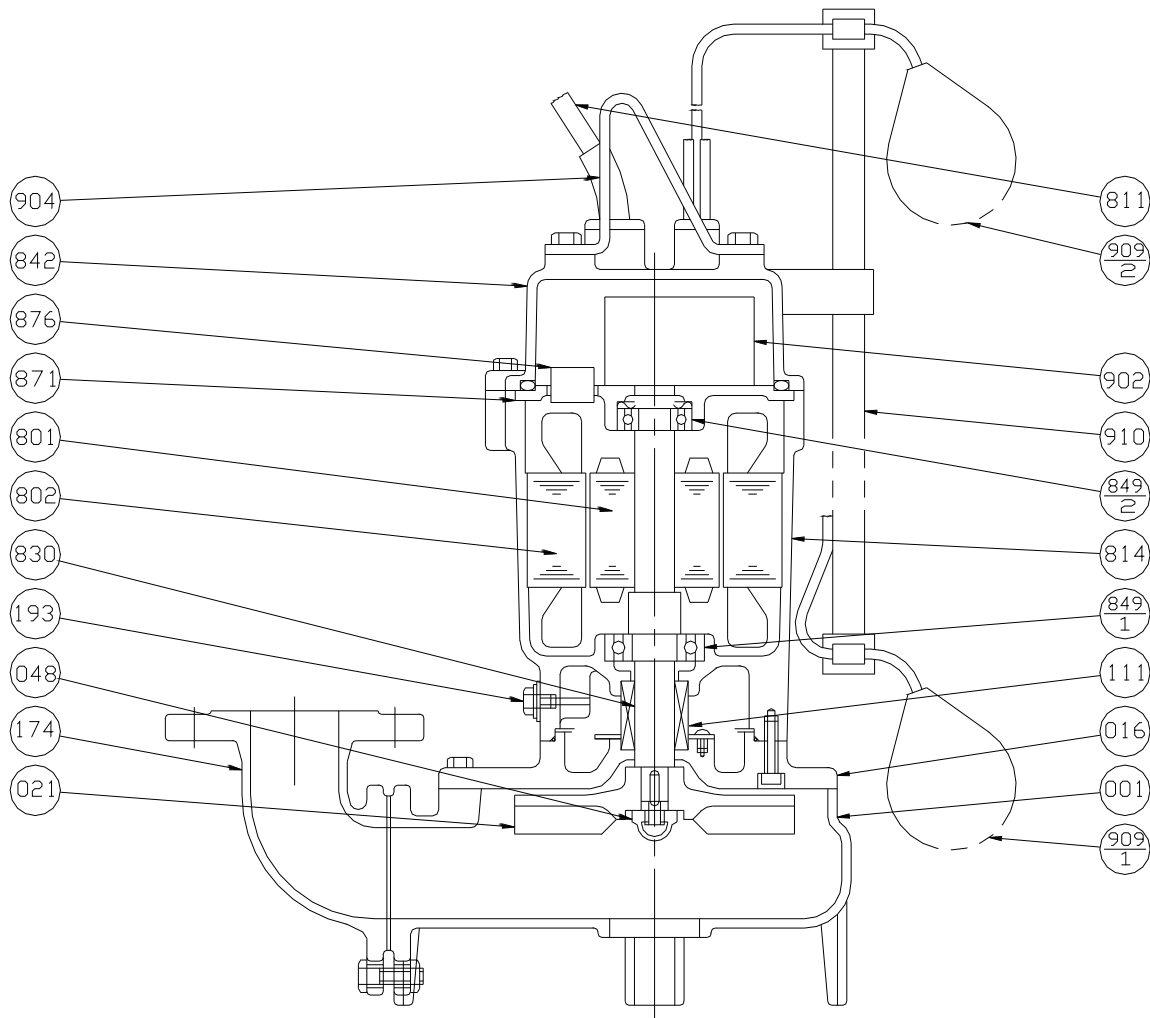


Item Number	Description	Material	Quantity per unit
001	Pump Casing	FC200 Cast iron	1
016	Mechanical Seal Cover	FC200 Cast Iron	1
021	Impeller	FC200 Cast Iron	1
048	Impeller Nut	SUS304 Stainless Steel	1
111	Mechanical Seal		1
193	Oil Plug	C3604 or SUS304 Brass or Stainless Steel	1
219	Companion Flange	FC200 Cast Iron	1
801	Rotor		1
802	Stator		1
811	Submersible Cable		1
814	Motor Frame	FC150 Cast Iron	1
816	Power Side Bracket	FC150 Cast Iron	1

Item Number	Description	Material	Quantity per unit
830	Shaft	SUS403 Stainless Steel	1
842	Motor Cover	FC150 Cast Iron	1
849-1	Ball Bearing		1
849-2	Ball Bearing		1
876	Protector		1
890	Handle	SUS Stainless Steel	1
902	Control Device		1
908	Spacer	SS Steel	1
909-1	Float Switch		1
909-2	Float Switch		1
910	Float Pole	Plastics	1

Sectional View - 65(80) DVSA 5.75T

50Hz

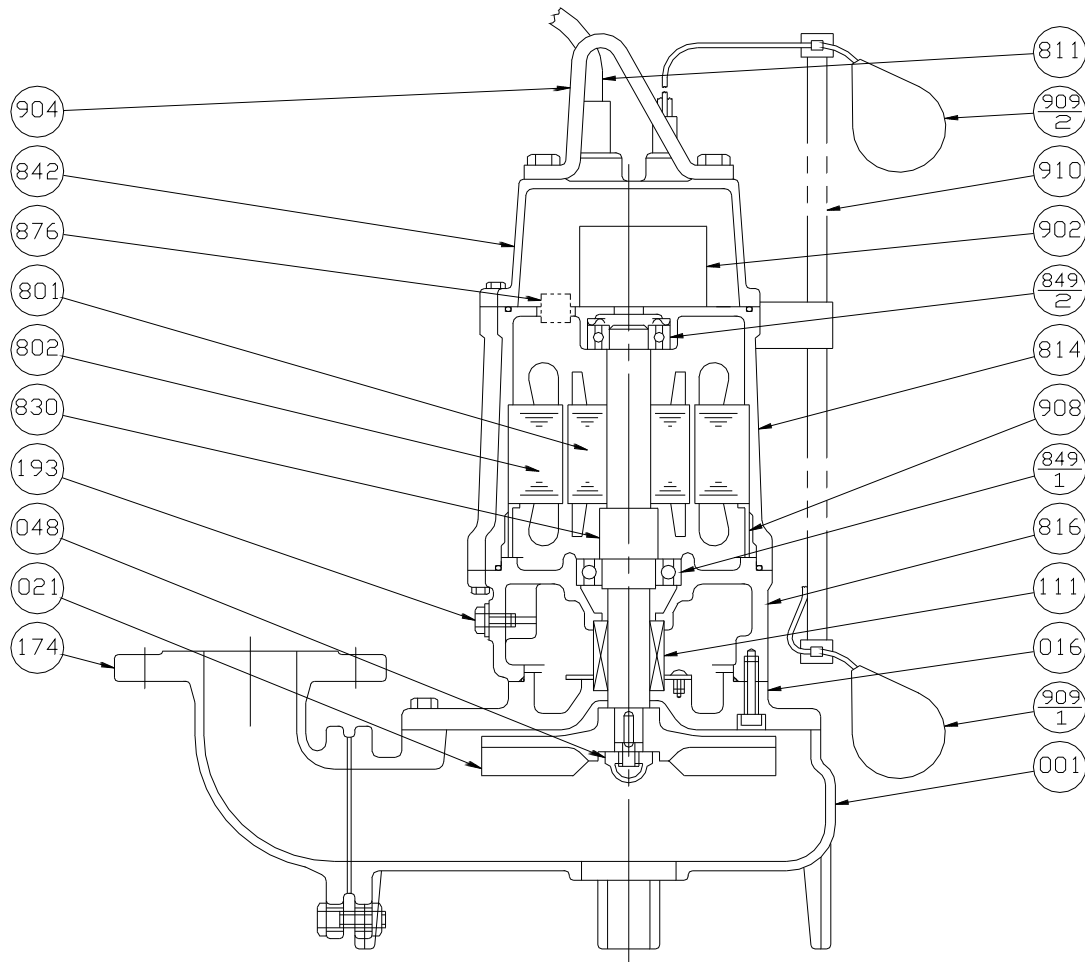


Item Number	Description	Material	Quantity per unit
001	Pump Casing	FC200 Cast iron	1
016	Mechanical Seal Cover	FC200 Cast Iron	1
021	Impeller	FC200 Cast Iron	1
048	Impeller Nut	SUS304 Stainless Steel	1
111	Mechanical Seal		1
174	Discharge Bend	FC200 Cast Iron	1
193	Oil Plug	SUS304 Stainless Steel	1
801	Rotor		1
802	Stator		1
811	Submersible Cable		1
814	Motor Frame	FC150 Cast Iron	1

Item Number	Description	Material	Quantity per unit
830	Shaft	SUS403 Stainless Steel	1
842	Motor Cover	FC150 Cast Iron	1
849-1	Ball Bearing		1
849-2	Ball Bearing		1
871	Intermediate Bracket	FC150 Cast Iron	1
876	Protector		1
902	Control Device		1
904	Lifting Hanger	SS Steel	1
909-1	Float Switch		1
909-2	Float Switch		1
910	Float Pole	Plastics	1

Sectional View - 65(80) DVSA 51.5

50Hz

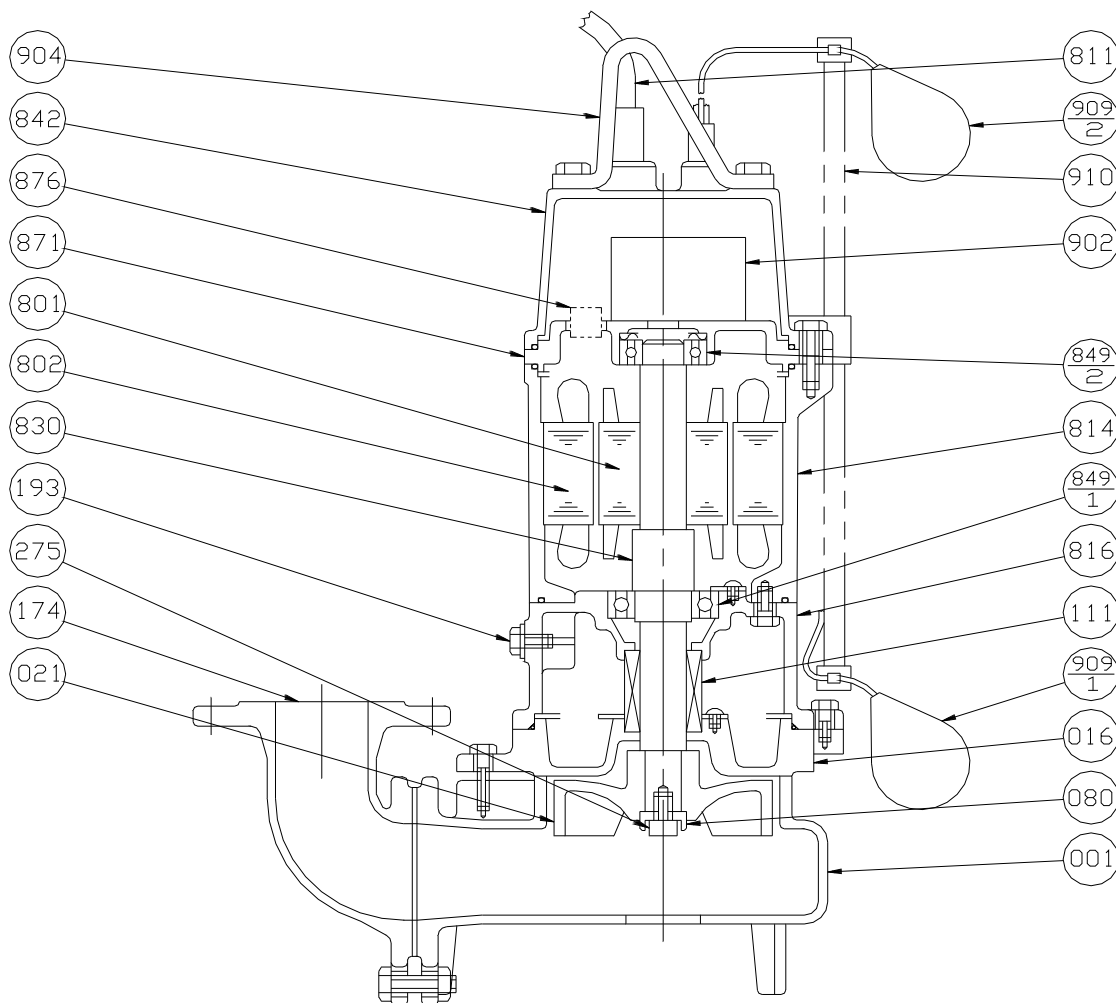


Item Number	Description	Material	Quantity per unit
001	Pump Casing	FC200 Cast iron	1
016	Mechanical Seal Cover	FC200 Cast Iron	1
021	Impeller	FC200 Cast Iron	1
048	Impeller Nut	SUS304 Stainless Steel	1
111	Mechanical Seal		1
174	Discharge Bend	FC200 Cast Iron	1
193	Oil Plug	SUS304 Stainless Steel	1
801	Rotor		1
802	Stator		1
811	Submersible Cable		1
814	Motor Frame	FC150 Cast Iron	1
816	Power Side Bracket	FC150 Cast Iron	1

Item Number	Description	Material	Quantity per unit
830	Shaft	SUS403 Stainless Steel	1
842	Motor Cover	FC150 Cast Iron	1
849-1	Ball Bearing		1
849-2	Ball Bearing		1
876	Protector		1
902	Control Device		1
904	Lifting Hanger	SS Steel	1
908	Spacer	SS Steel	1
909-1	Float Switch		1
909-2	Float Switch		1
910	Float Pole	Plastics	1

Sectional View - 65(80) DVSA 52.2, 53.7

50Hz

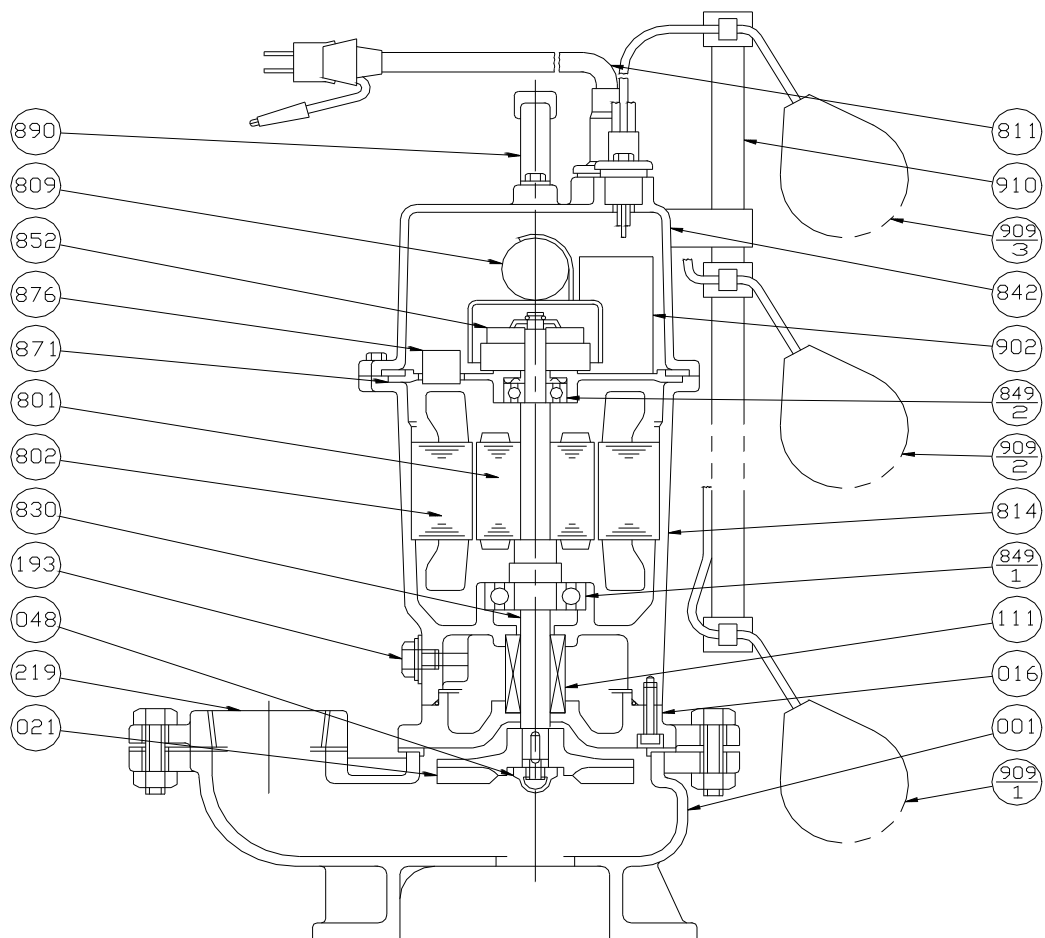


Item Number	Description	Material	Quantity per unit
001	Pump Casing	FC200 Cast iron	1
016	Mechanical Seal Cover	FC200 Cast Iron	1
021	Impeller	FC200 Cast Iron	1
080	Bushing	SS Steel	1
111	Mechanical Seal		1
174	Discharge Bend	FC200 Cast Iron	1
193	Oil Plug	SUS304 Stainless Steel	1
275	Impeller Bolt	SUS304 Stainless Steel	1
801	Rotor		1
802	Stator		1
811	Submersible Cable		1
814	Motor Frame	FC150 Cast Iron	1

Item Number	Description	Material	Quantity per unit
816	Power Side Bracket	FC150 Cast Iron	1
830	Shaft	SUS403 Stainless Steel	1
842	Motor Cover	FC150 Cast Iron	1
849-1	Ball Bearing		1
849-2	Ball Bearing		1
871	Intermediate Bracket	FC150 Cast Iron	1
876	Protector		1
902	Control Device		1
904	Lifting Hanger	SS Steel	1
909-1	Float Switch		1
909-2	Float Switch		1
910	Float Pole	Plastics	1

Sectional View - 50 DVSJ 5.4S, 5.75S

50Hz

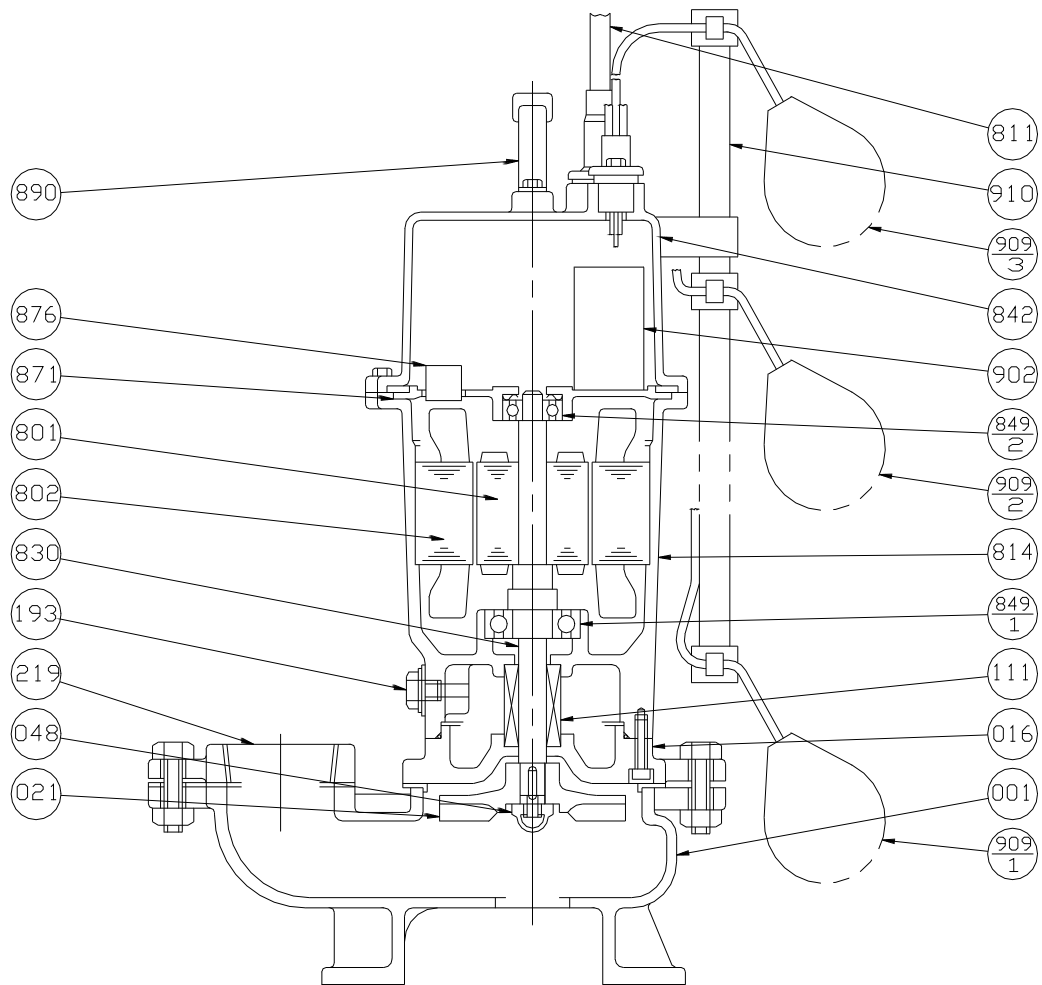


Item Number	Description	Material	Quantity per unit
001	Pump Casing	FC200 Cast iron	1
016	Mechanical Seal Cover	FC200 Cast Iron	1
021	Impeller	FC200 Cast Iron	1
048	Impeller Nut	SUS304 Stainless Steel	1
111	Mechanical Seal		1
193	Oil Plug	C3604 or SUS304 Brass or Stainless Steel	1
219	Companion Flange	FC200 Cast Iron	1
801	Rotor		1
802	Stator		1
809	Capacitor		1
811	Submersible Cable		1
814	Motor Frame	FC150 Cast Iron	1

Item Number	Description	Material	Quantity per unit
830	Shaft	SUS403 Stainless Steel	1
842	Motor Cover	FC150 Cast Iron	1
849-1	Ball Bearing		1
849-2	Ball Bearing		1
852	Starting Switch		1
871	Intermediate Bracket	FC150 Cast Iron	1
876	Protector		1
890	Handle	SUS Stainless Steel	1
902	Control Device		1
909-1	Float Switch		1
909-2	Float Switch		1
909-3	Float Switch		1
910	Float Pole	Plastics	1

Sectional View - 50 DVSJ 5.4T, 5.75T

50Hz

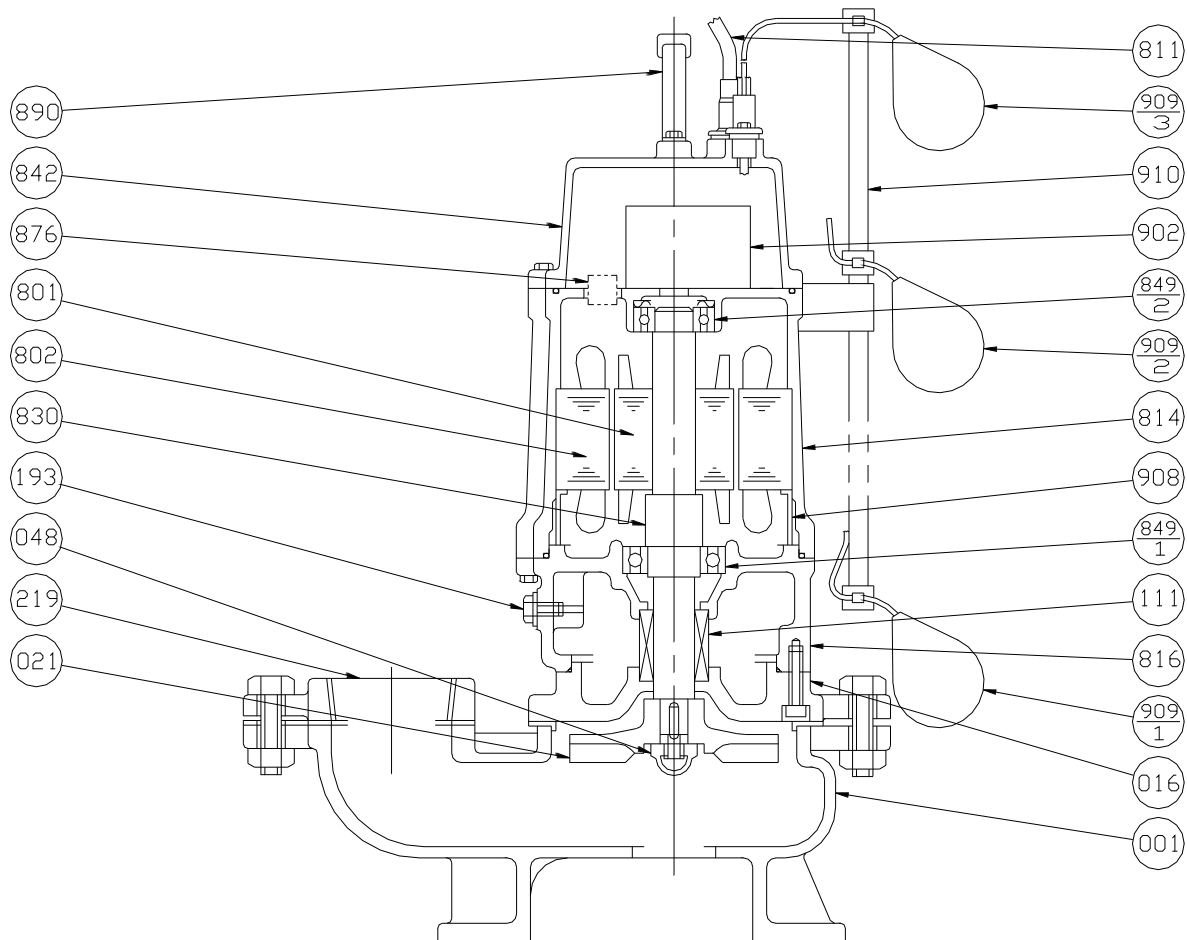


Item Number	Description	Material	Quantity per unit
001	Pump Casing	FC200 Cast iron	1
016	Mechanical Seal Cover	FC200 Cast Iron	1
021	Impeller	FC200 Cast Iron	1
048	Impeller Nut	SUS304 Stainless Steel	1
111	Mechanical Seal		1
193	Oil Plug	C3604 or SUS304 Brass or Stainless Steel	1
219	Companion Flange	FC200 Cast Iron	1
801	Rotor		1
802	Stator		1
811	Submersible Cable		1
814	Motor Frame	FC150 Cast Iron	1

Item Number	Description	Material	Quantity per unit
830	Shaft	SUS403 Stainless Steel	1
842	Motor Cover	FC150 Cast Iron	1
849-1	Ball Bearing		1
849-2	Ball Bearing		1
871	Intermediate Bracket	FC150 Cast Iron	1
876	Protector		1
890	Handle	SUS Stainless Steel	1
902	Control Device		1
909-1	Float Switch		1
909-2	Float Switch		1
909-3	Float Switch		1
910	Float Pole	Plastics	1

Sectional View - 50 DVSJ 51.5

50Hz

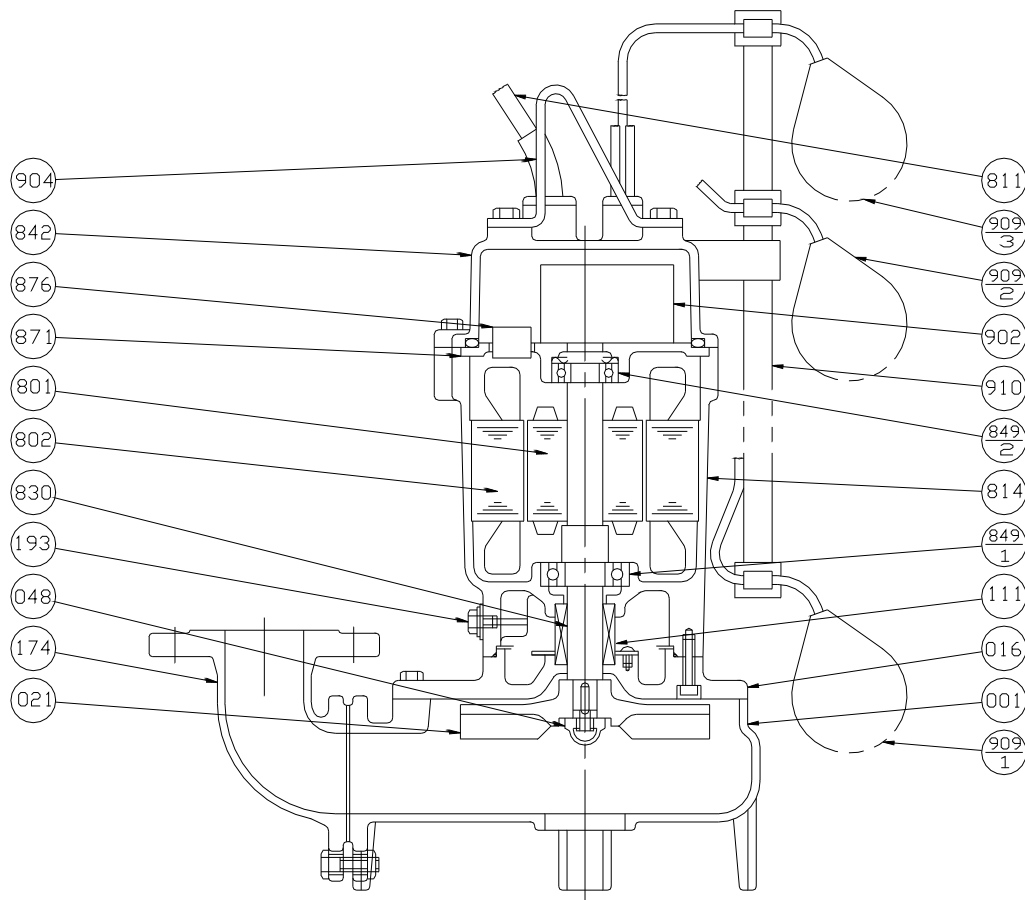


Item Number	Description	Material	Quantity per unit
001	Pump Casing	FC200 Cast iron	1
016	Mechanical Seal Cover	FC200 Cast Iron	1
021	Impeller	FC200 Cast Iron	1
048	Impeller Nut	SUS304 Stainless Steel	1
111	Mechanical Seal		1
193	Oil Plug	C3604 or SUS304 Brass or Stainless Steel	1
219	Companion Flange	FC200 Cast Iron	1
801	Rotor		1
802	Stator		1
811	Submersible Cable		1
814	Motor Frame	FC150 Cast Iron	1
816	Power Side Bracket	FC150 Cast Iron	1

Item Number	Description	Material	Quantity per unit
830	Shaft	SUS403 Stainless Steel	1
842	Motor Cover	FC150 Cast Iron	1
849-1	Ball Bearing		1
849-2	Ball Bearing		1
876	Protector		1
890	Handle	SUS Stainless Steel	1
902	Control Device		1
908	Spacer	SS Steel	1
909-1	Float Switch		1
909-2	Float Switch		1
909-3	Float Switch		1
910	Float Pole	Plastics	1

Sectional View - 65(80) DVSJ 5.75T

50Hz

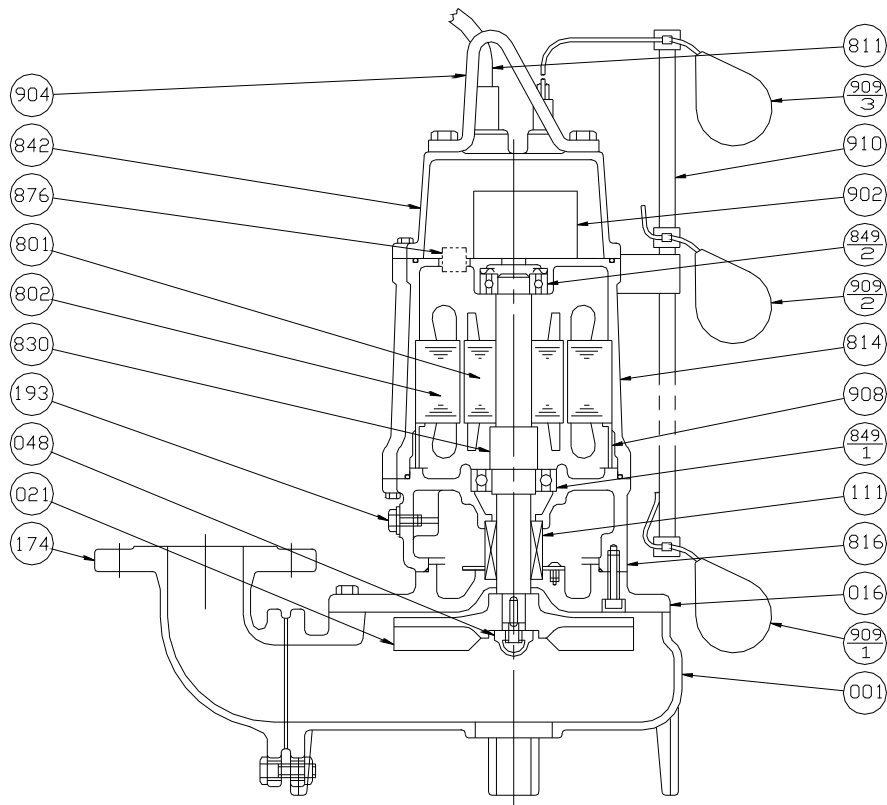


Item Number	Description	Material	Quantity per unit
001	Pump Casing	FC200 Cast iron	1
016	Mechanical Seal Cover	FC200 Cast Iron	1
021	Impeller	FC200 Cast Iron	1
048	Impeller Nut	SUS304 Stainless Steel	1
111	Mechanical Seal		1
174	Discharge Bend	FC200 Cast Iron	1
193	Oil Plug	SUS304 Stainless Steel	1
801	Rotor		1
802	Stator		1
811	Submersible Cable		1
814	Motor Frame	FC150 Cast Iron	1

Item Number	Description	Material	Quantity per unit
830	Shaft	SUS403 Stainless Steel	1
842	Motor Cover	FC150 Cast Iron	1
849-1	Ball Bearing		1
849-2	Ball Bearing		1
871	Intermediate Bracket	FC150 Cast Iron	1
876	Protector		1
902	Control Device		1
904	Lifting Hanger	SS Steel	1
909-1	Float Switch		1
909-2	Float Switch		1
909-3	Float Switch		1
910	Float Pole	Plastics	1

Sectional View - 65(80) DVSJ 51.5

50Hz



Item Number	Description	Material	Quantity per unit
001	Pump Casing	FC200 Cast iron	1
016	Mechanical Seal Cover	FC200 Cast Iron	1
021	Impeller	FC200 Cast Iron	1
048	Impeller Nut	SUS304 Stainless Steel	1
111	Mechanical Seal		1
174	Discharge Bend	FC200 Cast Iron	1
193	Oil Plug	SUS304 Stainless Steel	1
801	Rotor		1
802	Stator		1
811	Submersible Cable		1
814	Motor Frame	FC150 Cast Iron	1
816	Power Side Bracket	FC150 Cast Iron	1

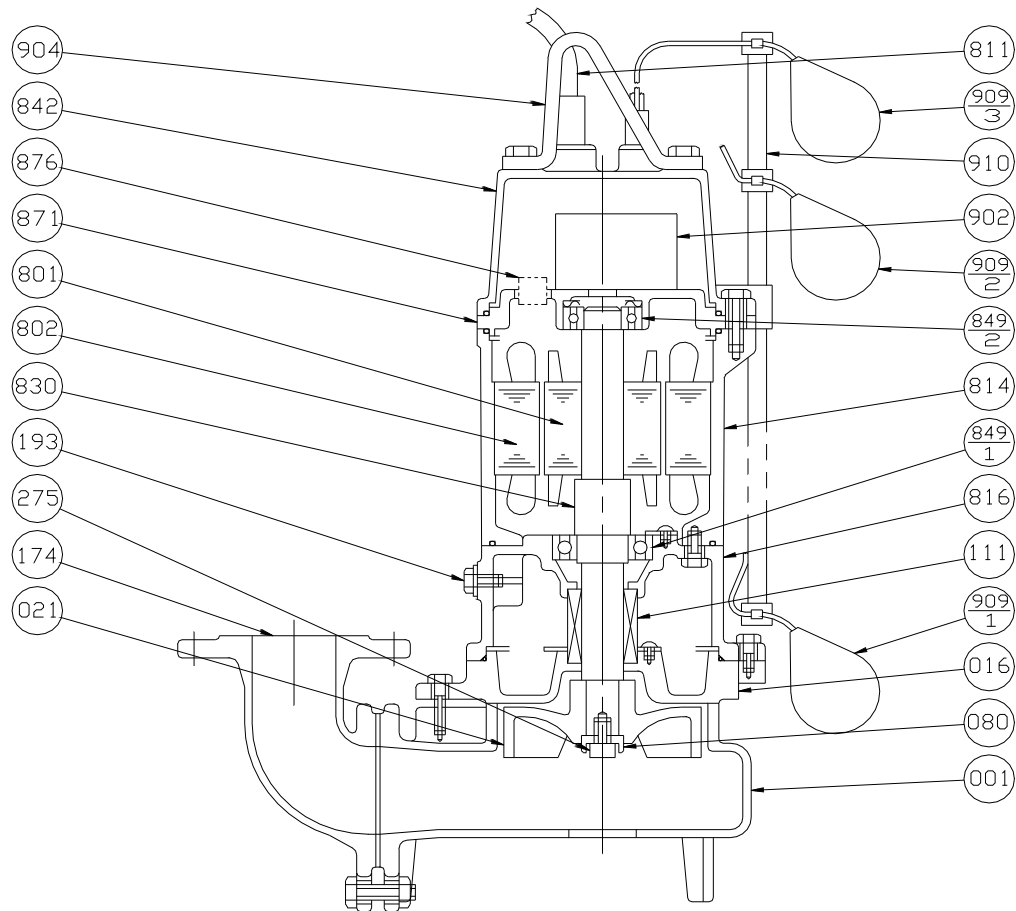
Item Number	Description	Material	Quantity per unit
830	Shaft	SUS403 Stainless Steel	1
842	Motor Cover	FC150 Cast Iron	1
849-1	Ball Bearing		1
849-2	Ball Bearing		1
876	Protector		1
902	Control Device		1
904	Lifting Hanger	SS Steel	1
908	Spacer	SS Steel	1
909-1	Float Switch		1
909-2	Float Switch		1
909-3	Float Switch		1
910	Float Pole	Plastics	1

Ebara Submersible Semi-Vortex Pumps

Model **DVS**

Sectional View - 65(80) DVSJ 52.2, 53.7

50Hz



Item Number	Description	Material	Quantity per unit
001	Pump Casing	FC200 Cast iron	1
016	Mechanical Seal Cover	FC200 Cast Iron	1
021	Impeller	FC200 Cast Iron	1
080	Bushing	SS Steel	1
111	Mechanical Seal		1
174	Discharge Bend	FC200 Cast Iron	1
193	Oil Plug	SUS304 Stainless Steel	1
275	Impeller Bolt	SUS304 Stainless Steel	1
801	Rotor		1
802	Stator		1
811	Submersible Cable		1
814	Motor Frame	FC150 Cast Iron	1

Item Number	Description	Material	Quantity per unit
816	Power Side Bracket	FC150 Cast Iron	1
830	Shaft	SUS403 Stainless Steel	1
842	Motor Cover	FC150 Cast Iron	1
849-1	Ball Bearing		1
849-2	Ball Bearing		1
871	Intermediate Bracket	FC150 Cast Iron	1
876	Protector		1
902	Control Device		1
904	Lifting Hanger	SS Steel	1
909-1	Float Switch		1
909-2	Float Switch		1
909-3	Float Switch		1
910	Float Pole	Plastics	1