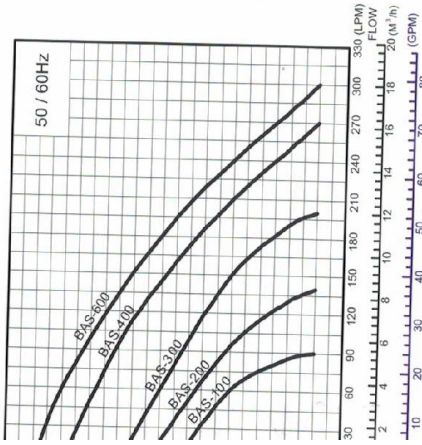


BAS Series Dirty Pumps

BAS Dirty Pumps

FOR: VIETNAM, TAIWAN

Đường cong / Curve



- Liquid temperature: 0~40°C / 32~104°F
- HP range: 1/6~3/4 HP / 100~600W
- PH value: 6~8
- Rated speed: 2900 / 3450rpm
- IP class: IP68
- Max. depth: 6M

Tính năng / Features

1. Power cable export insulation, no leaking issue.
2. Suspended impeller design.
3. One Piece Stainless Steel Motor Casing, it can endure corrosion & long service life.

Ứng dụng / Applications

1. Small sewage and wastewater discharge
2. Basement sewage system
3. Sump pit, wastewater drainage



Chứng nhận / Certification

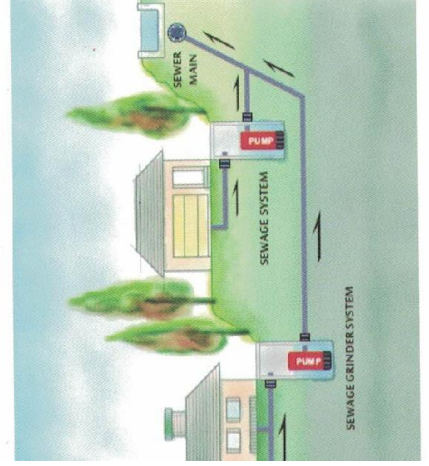
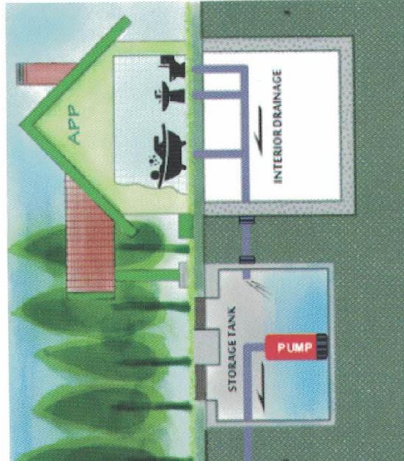
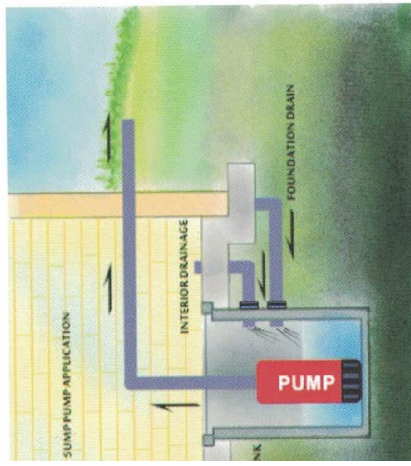


Đặc điểm kỹ thuật / Specification

| Model No. | Output | | Outlet | | Pass solid (mm) | Max Flow(LPM) | LPM Flow @ Head | | | | | Max Head (M) | Dimension L x W x H(mm) | Weight Kg |
|-----------|--------|-----|--------|--------|-----------------|---------------|-----------------|-----|-----|-----|-----|-----------------|-------------------------|-----------|
| | HP | W | mm | inch | | | 2M | 4M | 6M | 8M | 10M | | | |
| BAS-100 | 1/6 | 100 | 25 | 1" | 7 | 90 | 85 | 60 | - | - | 6 | 190 x 130 x 280 | 5 | |
| BAS-200 | 1/5 | 150 | 32 | 1-1/4" | 7 | 140 | 130 | 95 | 35 | - | 7 | 190 x 130 x 280 | 6 | |
| BAS-300 | 1/3 | 250 | 40 | 1-1/2" | 9 | 200 | 190 | 150 | 80 | - | 8 | 200 x 135 x 285 | 6.5 | |
| BAS-400 | 1/2 | 400 | 50 | 2" | 12 | 270 | 250 | 210 | 160 | 95 | 10 | 236 x 145 x 352 | 10 | |
| BAS-600 | 3/4 | 550 | 50 | 2" | 15 | 300 | 280 | 240 | 195 | 135 | 11 | 276 x 165 x 425 | 12 | |

Remarks: Model No. ends with "A" is equipped with float switch.

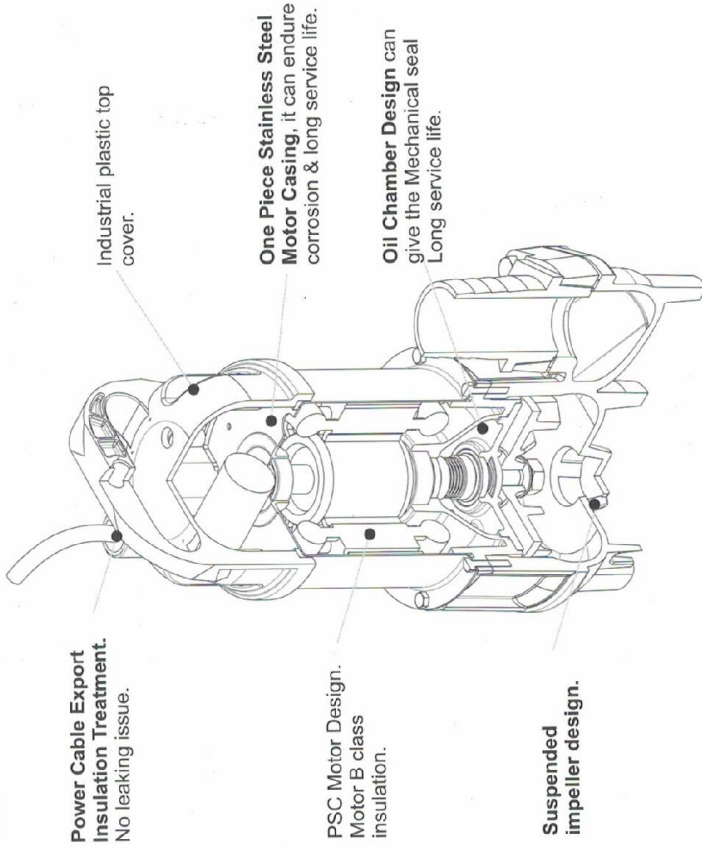
Chức năng / Schematic Function



02

BAS Series

Cắt View / Sectional View



Power Cable Export Insulation Treatment.
No leaking issue.

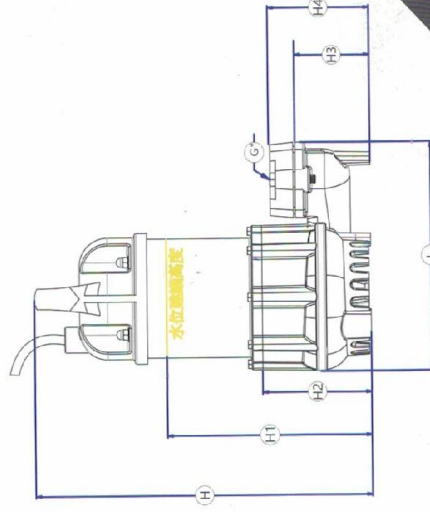
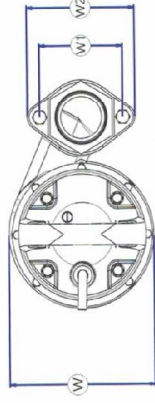
Industrial plastic top cover.

One Piece Stainless Steel Motor Casing. It can endure corrosion & long service life.

PSC Motor Design.
Motor B class insulation.

Oil Chamber Design can give the Mechanical seal Long service life.

Suspended impeller design.



Kích thước / Dimension

| Model | L | W | W1 | W2 | H | H1 | H2 | H3 | H4 | G |
|---------|-----|-----|----|-----|-----|-----|-----|----|-----|------|
| | mm | mm | mm | mm | mm | mm | mm | mm | mm | inch |
| BAS-100 | 179 | 130 | - | 48 | 290 | 150 | 81 | - | 71 | 1 |
| BAS-200 | 179 | 130 | - | 48 | 290 | 150 | 81 | - | 71 | 1.25 |
| BAS-300 | 197 | 135 | - | 57 | 295 | 168 | 88 | - | 80 | 1.5 |
| BAS-400 | 224 | 146 | 83 | 108 | 337 | 200 | 109 | 75 | 100 | 2 |

Các phụ kiện tiêu chuẩn / Standard Accessories

| Model No. | Accessories |
|-----------|--------------------------|
| BAS-100 | Hose connection |
| BAS-200 | Hose connection |
| BAS-300 | Hose connection |
| BAS-400 | Flange · Hose connection |
| BAS-600 | Flange · Hose connection |

