

100200/300/400 Series

nps

BPS

Utility Pumps

FOR: VIETNAM, TAIWAN

- Liquid temperature: 0~40°C / 32~104°F
- HP range: 1/10~1/2 HP / 80~400W
- PH value: 6~8
- Rated speed: 2900 / 3450rpm
- IP class: IP68
- Max. depth: 6M

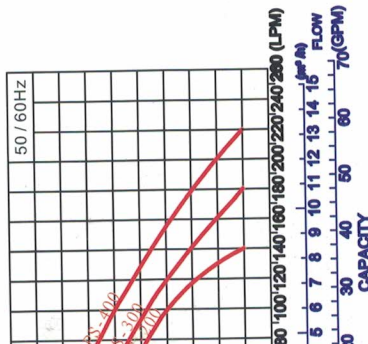
Tính năng / Features

1. All the material is stainless steel and engineering plastic made. No rusty issue.
2. Withdraw water down to 3mm (BPS-80/100/200).
3. The material is anti-UV. It can expose outdoor environment for a long time.
4. The PIN cable prevents water leak in and easy to replace.

Ứng dụng / Applications

1. Gardening
2. Fish pond cleaning
3. Agriculture and irrigation
4. Water tower cleaning
5. Sump pit, wastewater drainage
6. Temporary waste water or rain water discharge

Curve



Đặc điểm kỹ thuật / Specification

Model No.	Output		Outlet		Pass solid (mm)	Max Flow (LPM)	LPM Flow @ Head				Max Head (M)	Weight Kg
	HP	W	mm	inch			1.5M	2M	4M	6M		
BPS-80	1/10	80	20	3/4"	3	40	38	35	-	-	4	2.3
BPS-100	1/6	100	25	1"	3	70	68	63	41	8	6.5	3.1
BPS-200	1/4	200	32	1-1/4"	5	140	135	130	100	40	7	4.2
BPS-300	1/3	300	40	1-1/2"	5	180	170	160	120	65	8	6.6
BPS-400	1/2	400	50	2"	5	220	210	200	155	100	9	7.6

Remarks: Model with "A" is equipped with float switch.

Remarks: Model with "EA" is equipped with electric float switch.

/ Certification

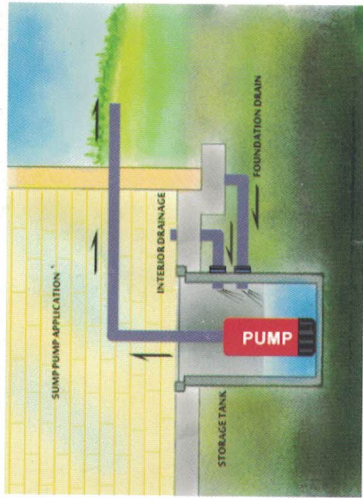
CE

ISO

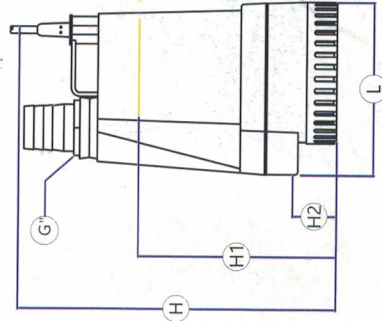
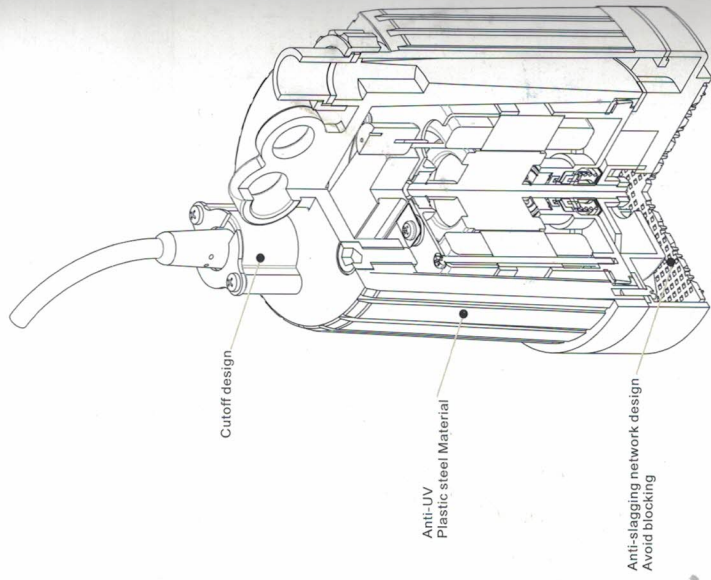
Kích thước / Dimension

Model	L	W	H	H1	H2	G
	mm	mm	mm	mm	mm	inch
BPS-80	136	132	232	123	13	3/4
BPS-100	155	134	250	117	10.5	1
BPS-200	155	134	295	156	25.5	1-1/4
BPS-300	196	162	370	231	51	2
BPS-400	196	162	370	231	51	2

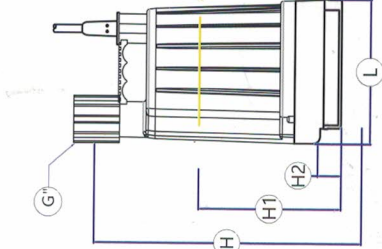
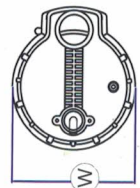
Sơ đồ chức năng / Schematic Function



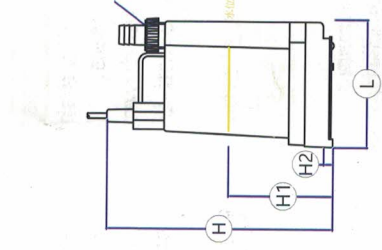
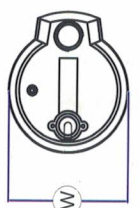
Cắt View / Sectional View



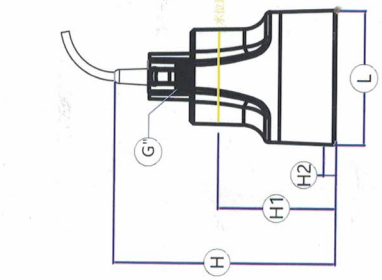
BPS-300/400



BPS-200



BPS-100



BPS-80

Các phụ kiện tiêu chuẩn / Standard Accessories

Model No.	Accessories
BPS-80	1/2" - 3/4" hose connection and nut - packing
BPS-100	3/4" - 1" hose connection and nut - packing
BPS-200	1-1/4" hose connection and nut - packing
BPS-300	1.5" hose connection
BPS-400	2" hose connection

