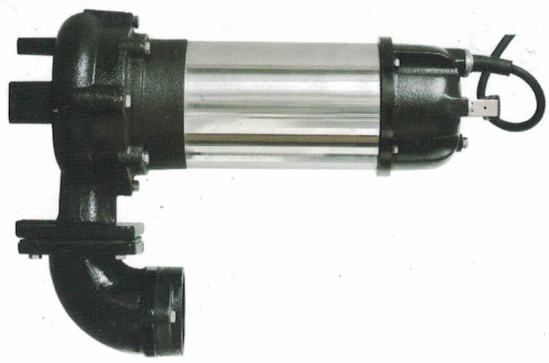
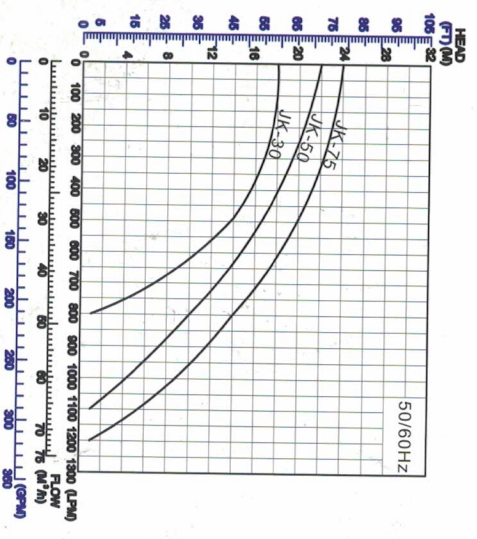
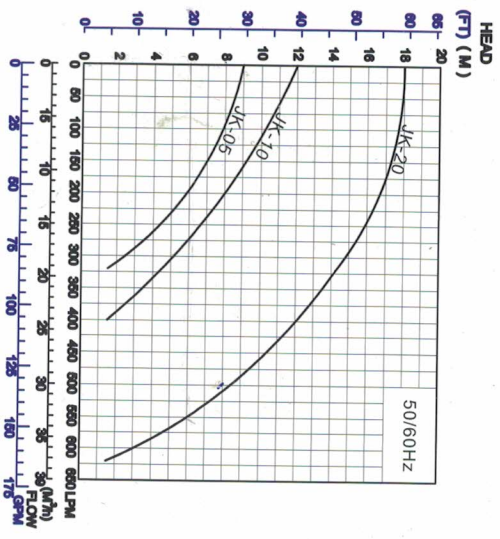


JK Series Sewage Pumps

Dường cong / Curve



FOR: VIETNAM, TAIWAN

JK

Sewage Pur



- Liquid temperature: 0~40°C / 32~100°F
- HP range: 0.5~7.5 HP / 0.4~5.5KW
- PH value: 6~8
- Rated speed: 2900 / 3450rpm
- IP class: IP68
- Max. depth: 8M

Tính năng / Features

1. Non-clogging vortex impeller design.
2. Suspended impeller and high efficacy flow design, no blocking. The pass solid is 50mm

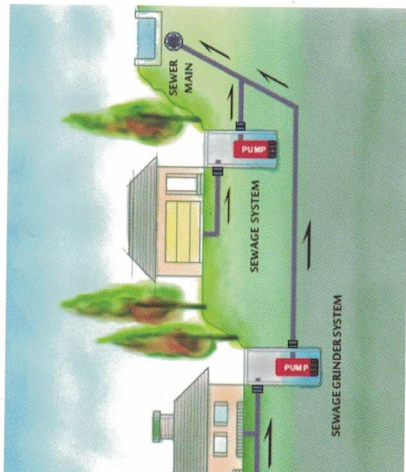
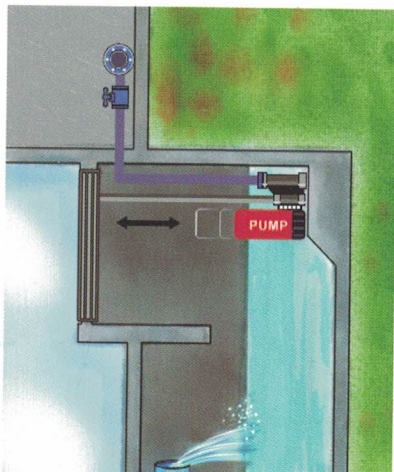
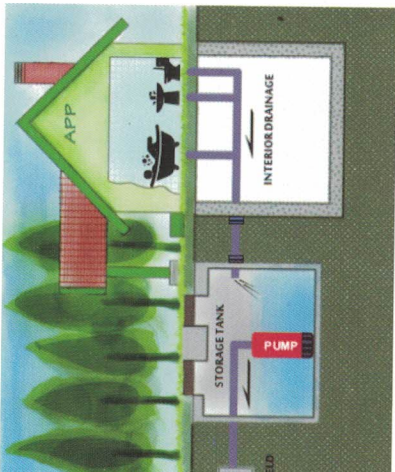
Ứng dụng / Applications

Industrial sewage discharge

Đặc điểm kỹ thuật / Specification

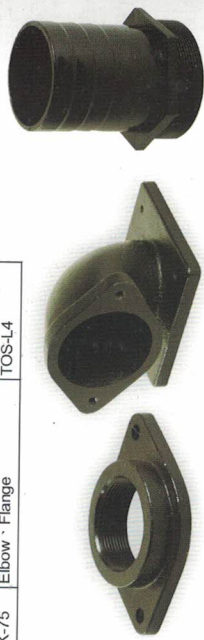
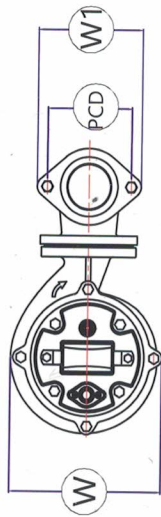
Model No.	Output		Outlet		Pass Solid Dia(mm)	Max Flow (LPM)	LPM Flow @ Head					Max Head (M)	Weight Kg
	HP	KW	mm	inch			3M	6M	9M	12M	15M		
JK-05	1/2	0.4	50	2"	30	320	285	190	-	-	9	14	
JK-10	1	0.75	50	2"	30	400	360	270	160	-	12	21	
JK-20	2	1.5	80	3"	35	620	600	550	490	410	280	32	
Model No.	Output		Outlet		Pass Solid Dia(mm)	Max Flow (LPM)	LPM Flow @ Head					Max Head (M)	Weight Kg
	HP	KW	mm	inch			3M	5M	10M	15M	20M		
JK-30	3	2.2	80	3"	35	780	755	720	610	420	-	18	34
JK-50	5	3.7	100	4"	45	1100	1050	980	800	590	250	22	45
JK-75	7.5	5.5	100	4"	50	1200	1170	1120	960	770	490	24	54

ô chức năng / Schematic Function



Kích thước / Dimension

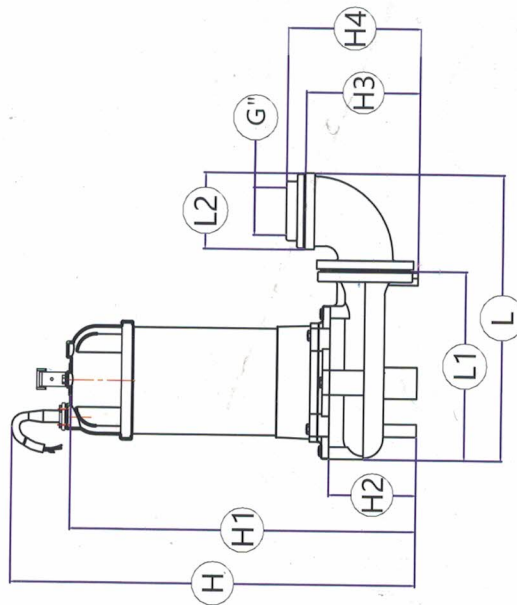
Model	L mm	L1 mm	L2 mm	W mm	W1 mm	H mm	H1 inch	H2 mm	H3 mm	H4 mm	PCD mm	G inch
JK-10	320	187	103	162	145	460	380	120	160	185	117	2
JK-20	387	255	103	210	145	560	485	122	160	185	117	3
JK-30	387	255	103	210	145	580	505	122	160	185	117	3
JK-50	475	288	183	216	240	630	535	160	210	240	155	4
JK-75	475	288	183	216	240	660	565	160	210	240	155	4



Các phụ kiện tiêu chuẩn / Standard Accessories

Model No.	Accessories	Pedestal Type
JK-05	Flange · Hose connection	N/A
JK-10	Elbow · Flange	TOS-S2
JK-20	Elbow · Flange	TOS-S3
JK-30	Elbow · Flange	TOS-L3
JK-50	Elbow · Flange	TOS-L4
JK-75	Elbow · Flange	TOS-L4

Cắt View / Sectional View



Power cable export insulation treatment. No water leaking.

PSC Motor Design.
H class copper wire, (180C)

Motor B class insulation, long service life.

Fixed Bearing can hold the shaft steady which can avoid other parts breakdown.

The mechanical Seal won't be effected the seal function by Vacuum pressure.

The SIC/SIC & CAGE, double mechanical seal.

Oil Chamber Design can give the mechanical seal long service life.

Non-Clogging Vortex Impeller design. No blocking.

High Efficacy Slippage Casing Design. Smooth flow channel, no blocking. Low resistance & low consuming electricity.

xác nhận / Certification

