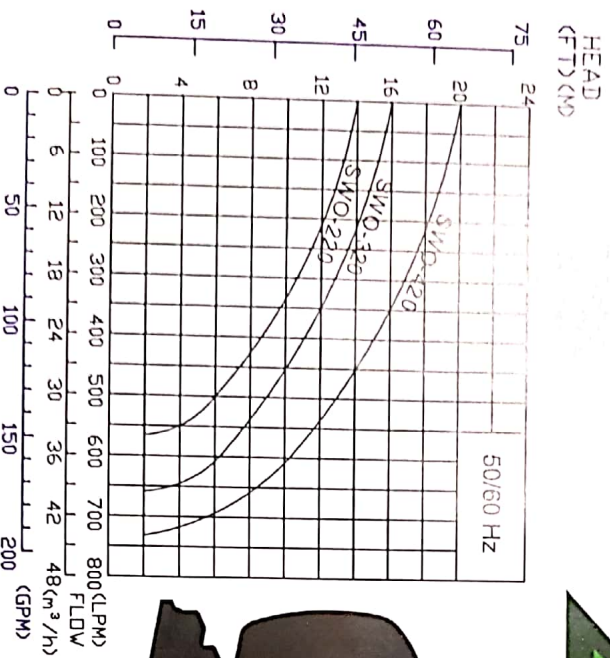


# SWO-220/320/420

## Open Impeller Centrifugal Pumps

Đường cong / Curve



Xác nhận / Certification



### SWO-220/320/420

FOR: VIETNAM , TAIWAN

## Open Impeller Centrifugal Pumps

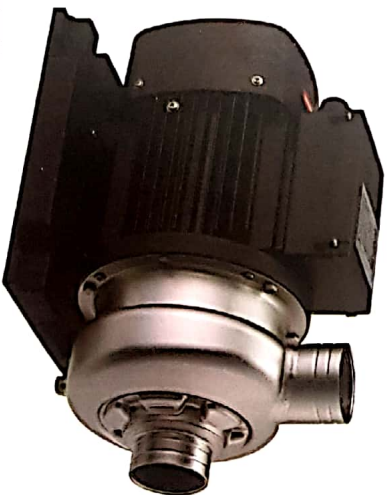
- Liquid temperature: 0~70°C / 32~158°F
- HP range: 2~4 HP / 1.5~3KW
- PH value: 6~8
- Rated speed: 2900 / 3450rpm
- IP class: IP55
- Max. suction: 2M

#### Tính năng / Features

All stainless steel design, do not produce rust water  
Stainless steel open impeller  
Resistant to weak acids and alkali liquid

#### Ứng dụng / Applications

Containing suspended solids environmental applications  
Circulating cleaning system  
Weak acid and alkali liquids pumping applications  
Pool system  
Filter systems  
Agricultural irrigation



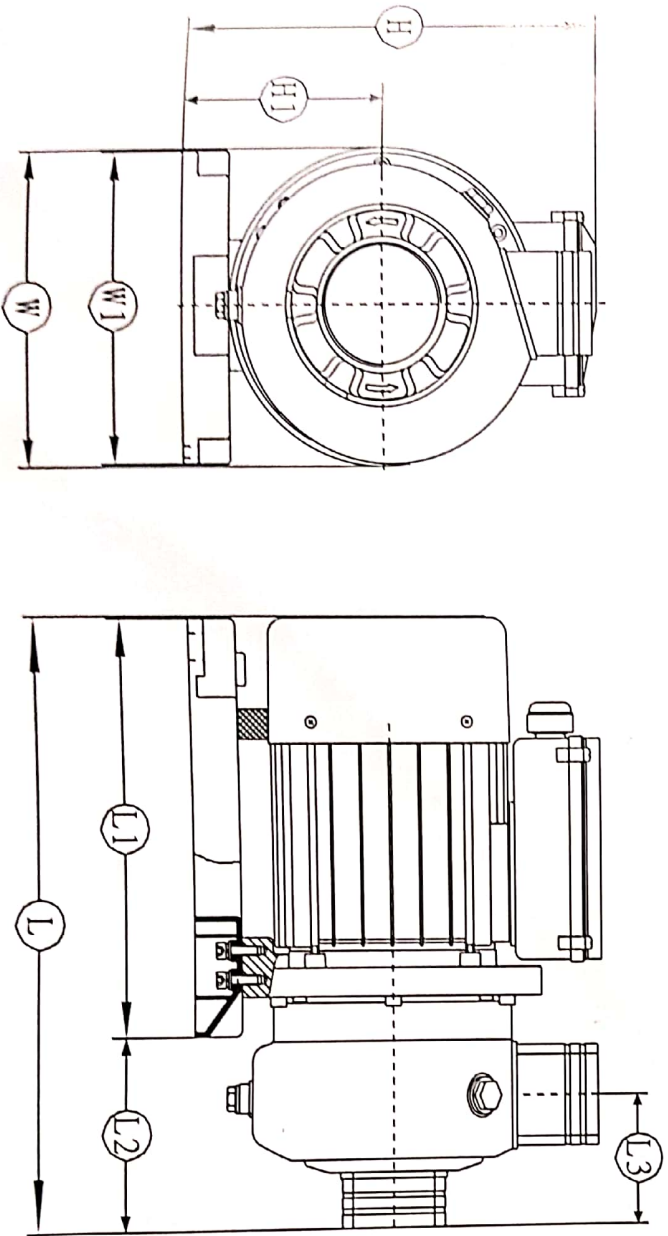
#### Đặc điểm kỹ thuật / Specification

Model No.	Output		Outlet		Pass Solid Dia(mm)	Max Flow (LPM)	LPM Flow @ Head							Max Head (M)	Weight Kg
	HP	KW	mm	inch			4M	6M	8M	10M	12M	14M			
SWO-220(T)	2	1.5	50	2"	8	570	550	500	430	330	210	210	14	20	
SWO-320(T)	3	2.2	50	2"	8	660	640	610	560	490	400	270	16	23	



**Kích thước / Dimension**

Model	L		L1		L2		L3		W		H	
	mm	mm	mm	mm	mm	mm	mm	mm	mm	mm	mm	
SWO-220(T)	378	255	123	82	193	190	242	125				
SWO-320(T)	413	255	158	82	193	190	242	125				
SWO-420(T)	430	255	175	82	193	190	242	125				



**Sơ đồ chức năng / Schematic Function**

