



**EBARA**

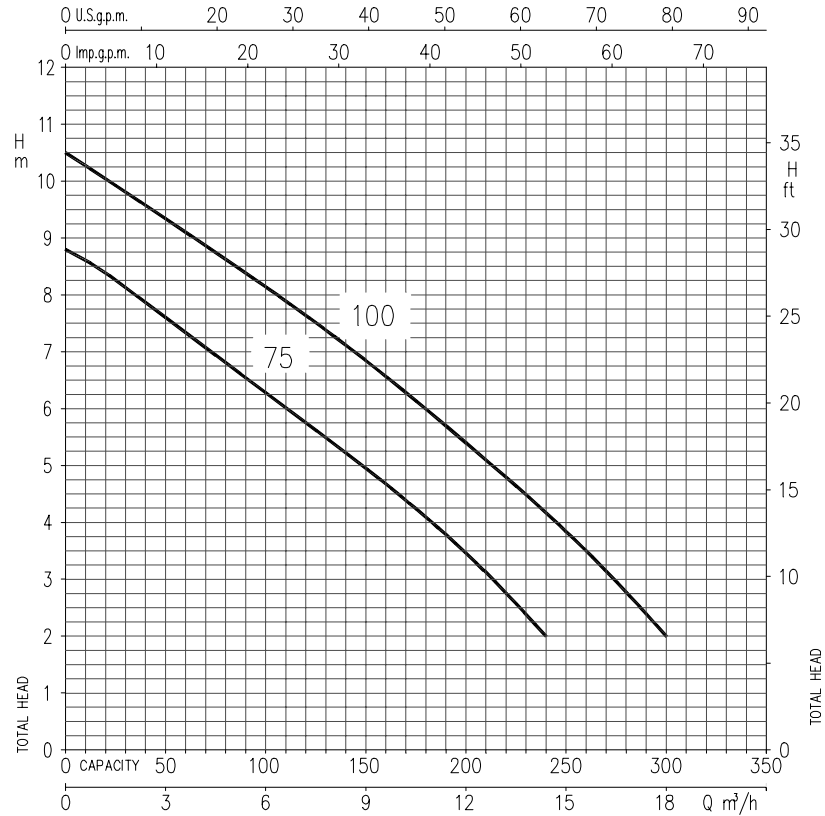
	Page
<b>- SPECIFICATIONS</b>	200
SELECTION CHART	201
PERFORMANCE CHART RIGHT 75	202
PERFORMANCE CHART RIGHT 100	203
<b>- CONSTRUCTIONS</b>	300
SECTIONAL VIEW	300
MECHANICAL SEAL	301
DIAGRAM AND ELECTRIC CONNECTIONS	302
DIAGRAM AND ELECTRIC CONNECTIONS	303
DIAGRAM AND ELECTRIC CONNECTIONS	304
<b>- DIMENSIONS</b>	400
PACKING AND WEIGHT	401
<b>- TECHNICAL DATA</b>	500

**SPECIFICATIONS**

50Hz

PUMP		
Liquid Handled	Type of liquid	Clean and dirty water
	Temperature	Maximum 50°C
	Max solids size	Maximum 35mm spherical
Maximum immersion		10 m
Construction	Impeller	Open vortex type
	Shaft seal type	Double mechanical seal
	Bearing	Sealed ball bearing
Pipe Connection	Suction-Flange	35 mm open
	Discharge-Flange	G1½
Material	Casing	AISI 304
	Impeller	AISI 304
	Casing cover	AISI 304
	Shaft seal	Pump side: Sic/Sic/NBR
		Motor side: Carbon/Ceramic/NBR
	Seal cover	AISI 304
	Shaft	AISI 303 (Wet extension)
Lubricating liquid	White mineral oil: Esso Marcol 172 (180 cc)	
Applicable standard of test		ISO 9906 Annex A

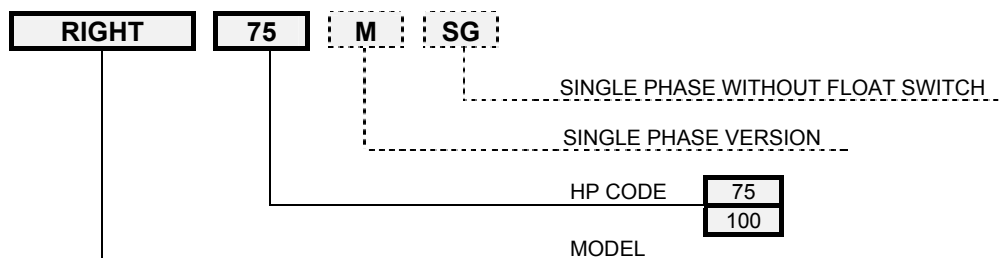
MOTOR		
Type	Submersible dry type	
	Single Phase	Three Phase
No. of Poles	2	
Speed [min <sup>-1</sup> ]	3000	
Insulation Class	F	
Protection degree	IP 68	
kW/HP Rating	[kW]	0.55 ÷ 0.75
	[HP]	0.75 ÷ 1
Frequency [Hz]	50	
Voltage [V]	230 ± 10%	400 ± 10%
Capacitor (Single Phase)	Built in	-
Over load protection	Built in	User to provide
Float Switch	Optional	N/A
Float Switch Cable Material / Size	H07RN-F 3G1	N/A
Casing material	AISI 304	
Base material/motor support	AISI 304	
Power cable length	10 m	
Power cable material / Size	H07RN-F 3G1	H07RN-F 4G1
Dimensions of cable entry	Cable Gland	



Type pumps		kW	HP	Q=Capacity							
Single Phase 230 V 50 Hz	Three Phase 230/400 V 50 Hz			l/min m³/h	40 2	80 4.8	120 7.2	160 9.6	200 12	240 14.4	300 18
RIGHT 75 M	RIGHT 75	0.55	0.75	7.8	6.8	5.7	4.7	3.4	2	-	
RIGHT 100M	RIGHT 100	0.75	1	9.5	8.6	7.6	6.6	5.4	4.2	2	

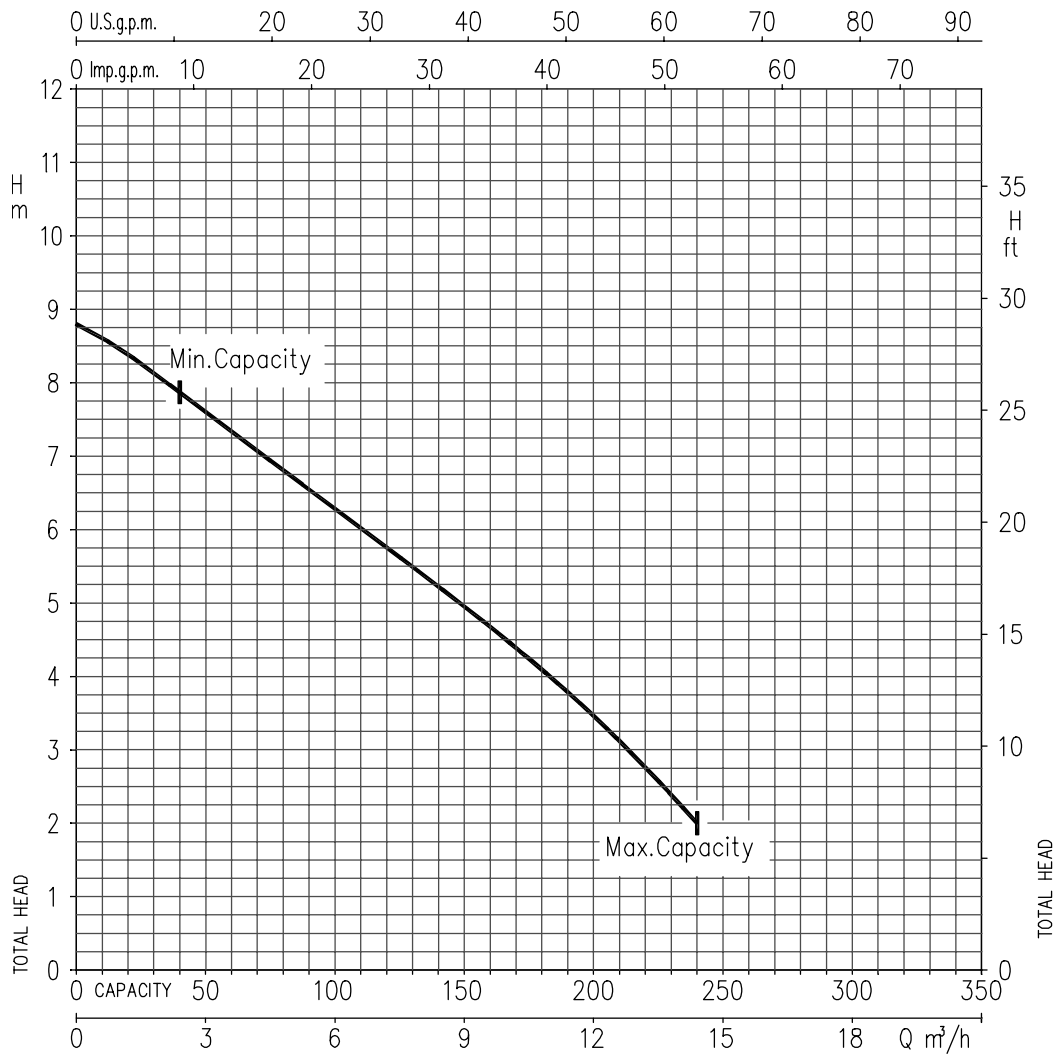
H=Total manometric head in meters

**TYPE KEY:**



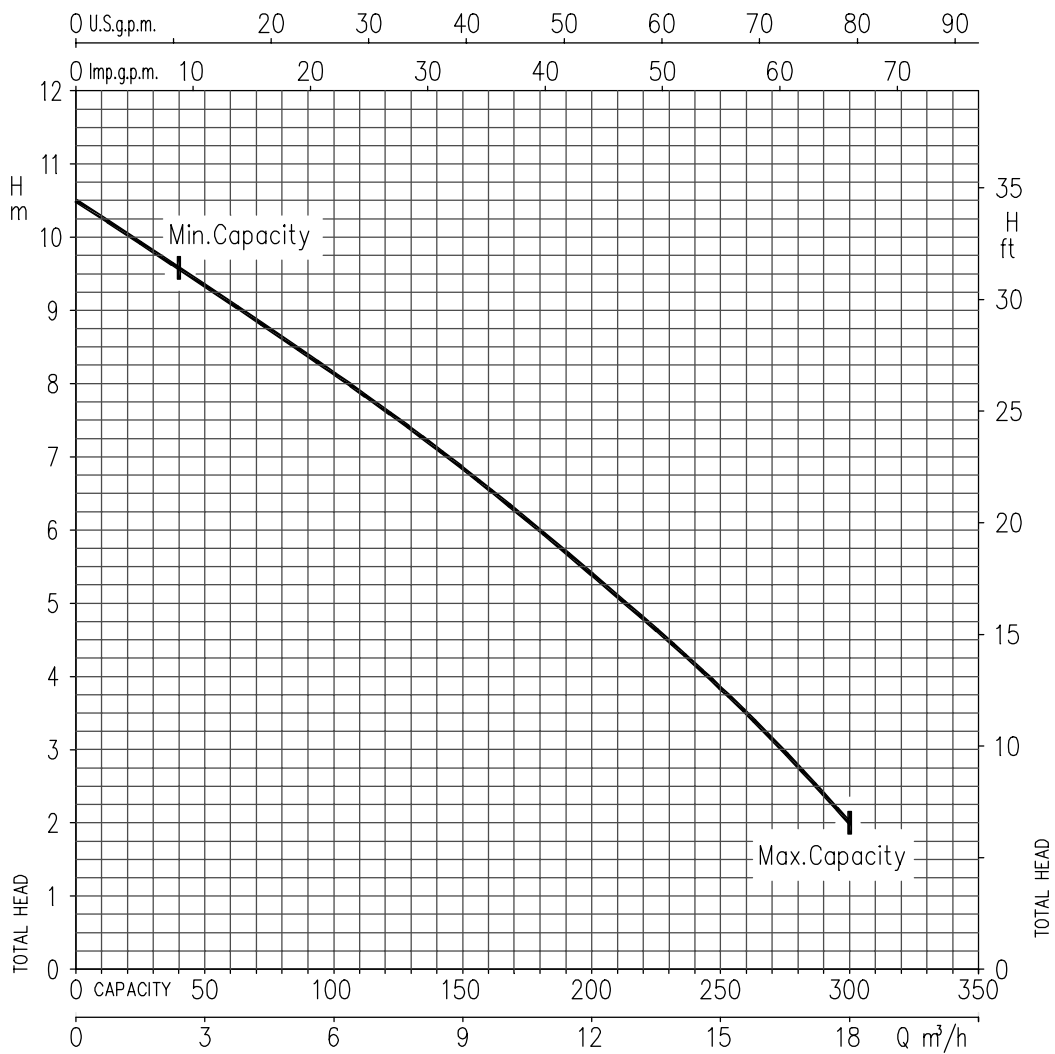
**PUMP CHARACTERISTIC PERFORMANCE**

**RIGHT 75 (0.55 kW) SYNCHRONOUS SPEED: 3000 min<sup>-1</sup>**



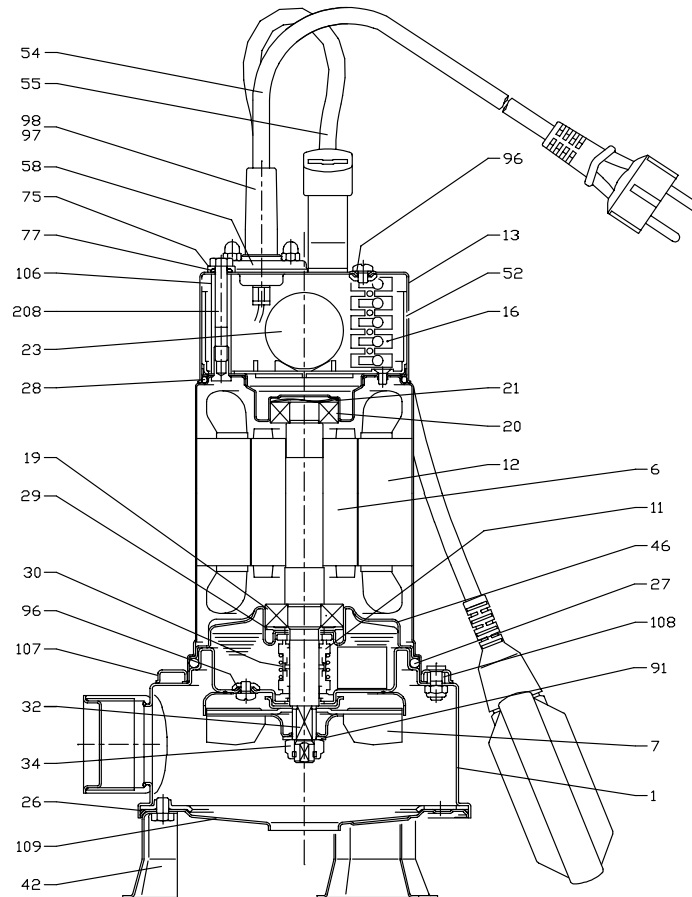
Temperature of water: 20°C  
 Impeller diameter= 100 mm  
 Applicable standard of test: ISO 9906 – Annex A

**PUMP CHARACTERISTIC PERFORMANCE**  
**RIGHT 100 (0.75 kW) SYNCHRONOUS SPEED: 3000 min<sup>-1</sup>**



Temperature of water: 20°C  
 Impeller diameter = 100 mm  
 Applicable standard of test: ISO 9906 – Annex A

**SECTIONAL VIEW**



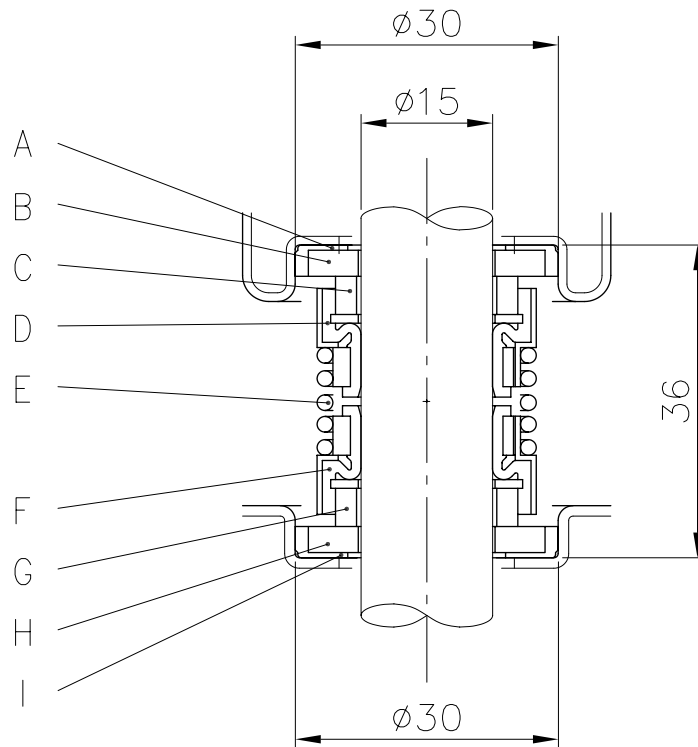
N°	PART NAME	MATERIAL	NO.FOR 1 UNIT	N°	PART NAME	MATERIAL	NO.FOR 1 UNIT
1	Casing	AISI 304	1	42	Foot	AISI 304	3
6	Shaft with rotor	AISI 303	1	46	Lower bearing bracket	AISI 304	1
7	Impeller	AISI 304	1	52	Capacitor box	Nylon	1
11	Mechanical seal	Ceramic/Carbon/NBR	1	54	Submersible power cable	-	1
12	Motor frame with stator	-	1	55	Float switch [1]	-	1
13	Cover	AISI 304	1	58	Cable gland	AISI 304	1
16	Terminal	-	1	75	Washer	AISI 303	1
19	Lower ball bearing	-	1	77	"O" Ring	NBR	1
20	Upper ball bearing	-	1	91	Washer	AISI 304	1
21	Adjusting washer	AISI 304	1	96	"O" Ring	NBR	1
23	Capacitor [2]	-	1	97	Cable connector	NBR	1
26	"O" Ring	NBR	1	98	Cable connector [1]	NBR	1
27	"O" Ring	NBR	1	106	Spacer	AISI 304	1
28	"O" Ring	NBR	1	107	Stopper ring	AISI 304	1
29	Washer	AISI 304	1	108	Gasket	NBR	1
30	Mechanical seal spacer	Brass	1	109	Suction cover	AISI 304	1
32	Key	AISI 304	1	208	Screw	AISI 304	1
34	Nut	AISI 303	1	-	-	-	-

[1] Only for single phase version with float switch

[2] Only for single phase version

**MECHANICAL SEAL**

MOTOR SIDE



IMPELLER SIDE

REF	PART NAME	MATERIAL
A	Rubber cup	NBR
B	Seat	Ceramic
C	Seal face	Carbon
D	Bellow	NBR
E	Spring	AISI 304
F	Bellow	NBR
G	Seal face	Silicon carbide
H	Seat	Silicon carbide
I	Rubber cup	NBR



DIAGRAM AND ELECTRIC CONNECTIONS

SINGLE PHASE MOTOR WITH FLOAT SWITCH

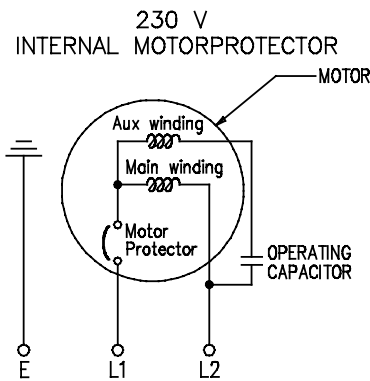
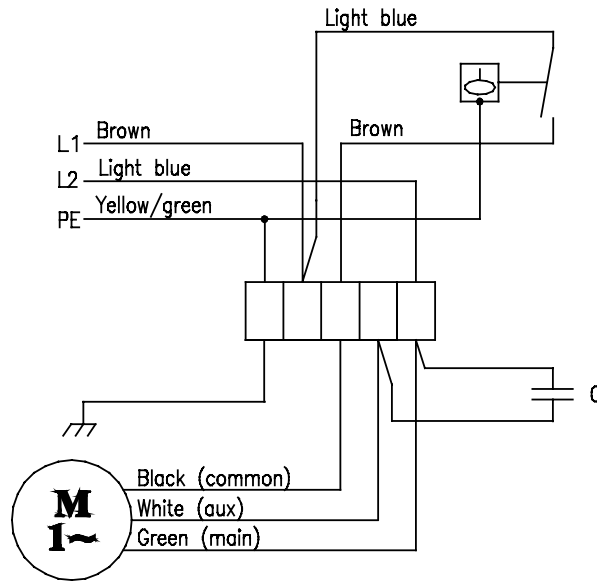


DIAGRAM AND ELECTRIC CONNECTIONS

SINGLE PHASE MOTOR  
WITHOUT FLOAT SWITCH

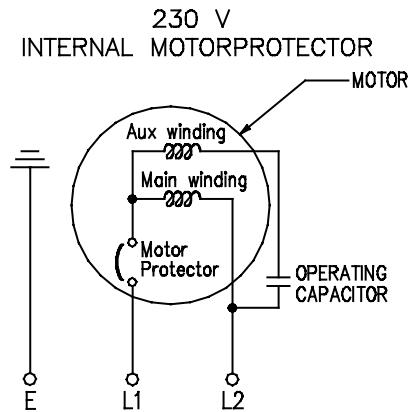
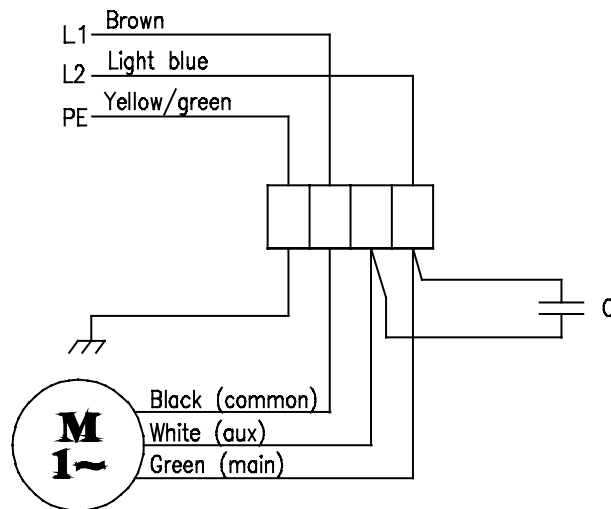
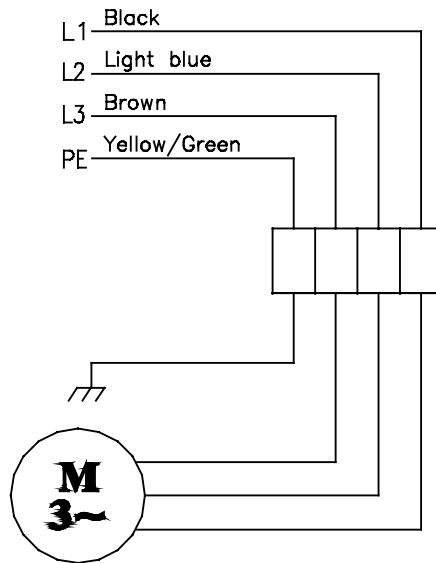
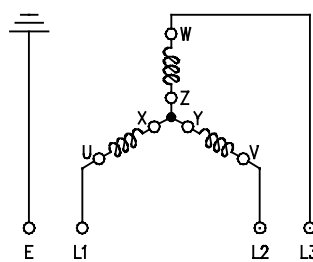


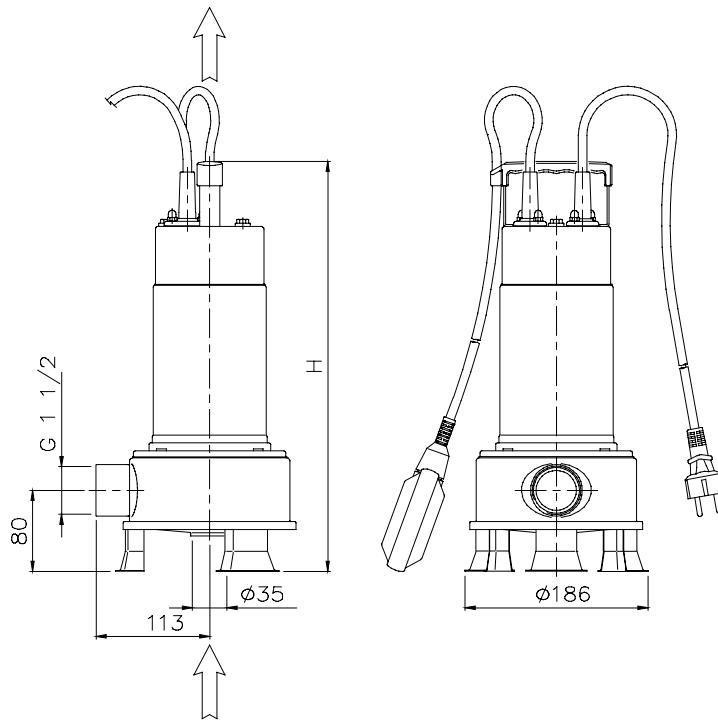
DIAGRAM AND ELECTRIC CONNECTIONS

THREE PHASE MOTOR

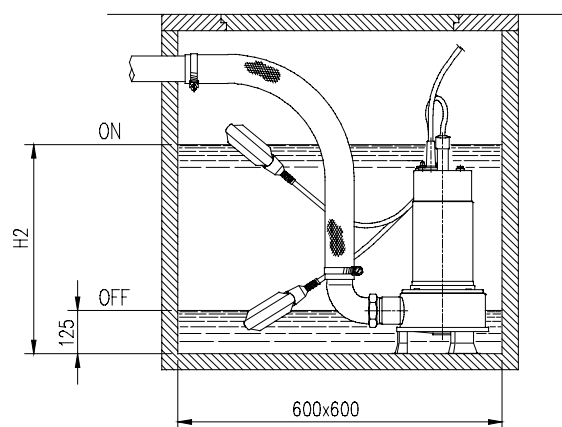


400 V  
STAR CONNECTION

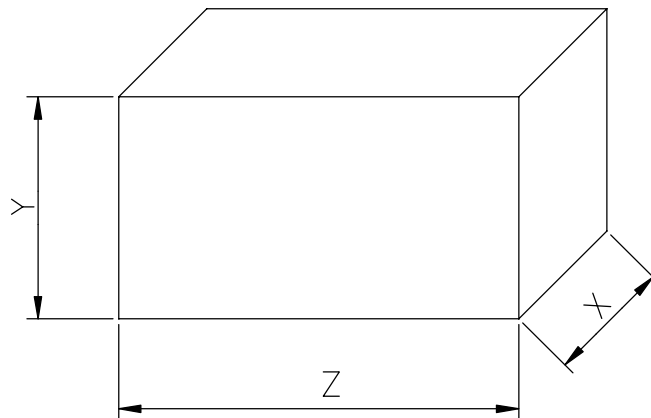




Pump type	Dimensions mm
	H
RIGHT 75	405
RIGHT 100	430



Pump type	Dimensions mm
	H2
RIGHT 75	480
RIGHT 100	500



Type pumps		PACKING [mm]			WEIGHT [kg]	
Single Phase	Three Phase	Z	X	Y	Single Phase	Three Phase
RIGHT 75 M	RIGHT 75	450	195	245	10	10
RIGHT 100 M	RIGHT 100	450	195	245	11.5	11.5

**TECHNICAL DATA**

50 Hz

Type pumps		kW	HP	Capacitor		Input [kW]		Full load current [A]		Locked rotor current	
Single Phase 230 V 50 Hz	Three Phase 400 V 50 Hz			Single Phase $\mu$ F	Vc	Single Phase	Three Phase	Single Phase	Three Phase	Single Phase 230 V 50 Hz	Three Phase 400 V 50 Hz
RIGHT 75 M	RIGHT 75	0.55	0.75	20	450	1.0	0.95	4.8	2.1	19.5	12
RIGHT 100 M	RIGHT 100	0.75	1	31.5	450	1.20	1.2	5.7	2.6	24.5	16

Type pumps		Ball Bearing	
Single Phase 230 V 50 Hz	Three Phase 400 V 50 Hz	Pump side	Fan side
RIGHT 75 M	RIGHT 75	6203 ZZ	6202 ZZ
RIGHT 100 M	RIGHT 100	6203 ZZ	6202 ZZ